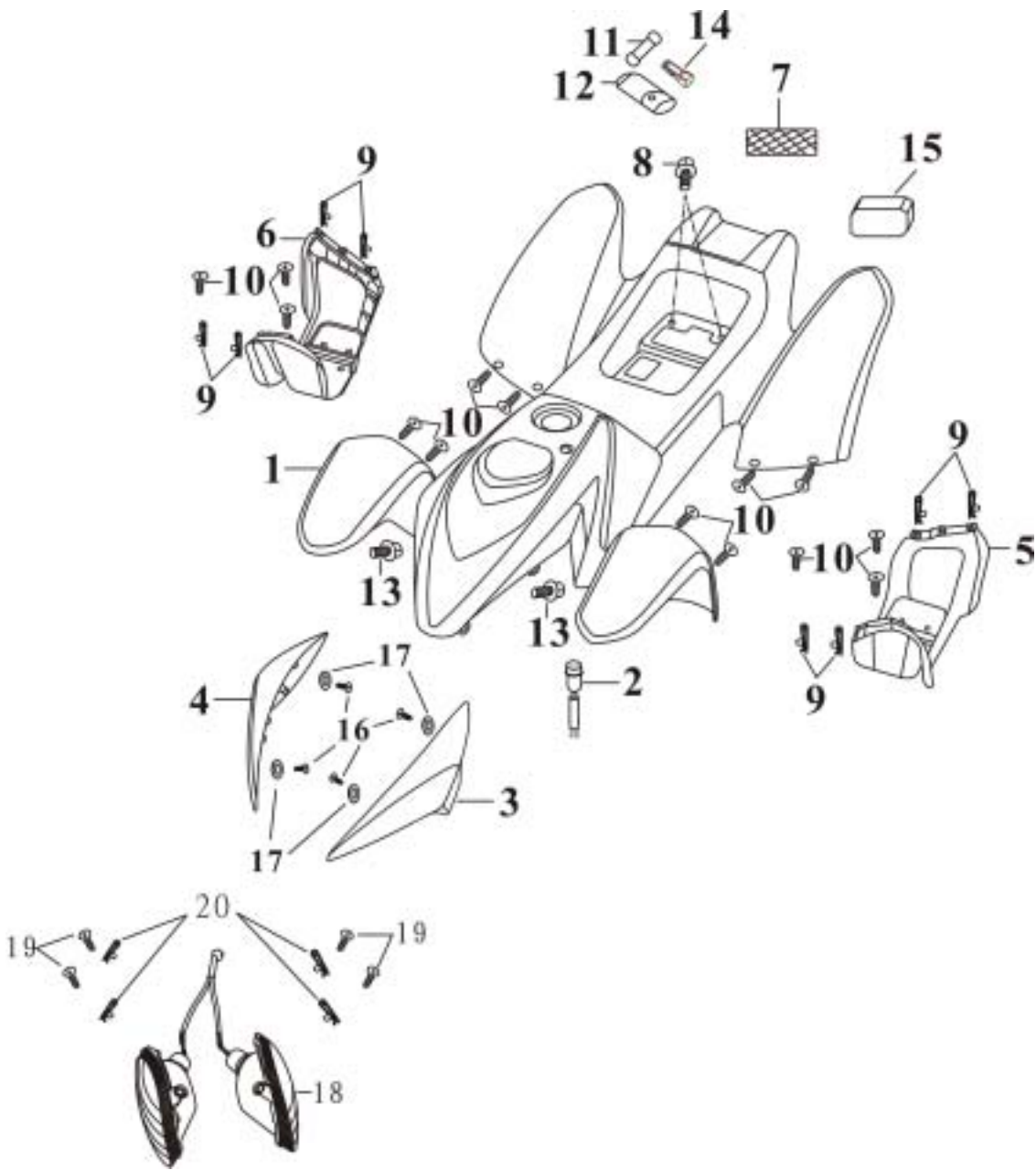


A1	FRAME BODY	MINI
-----------	-------------------	-------------

ITEM	PARTS NO.	DESCRIPTION	REQD. NO.	MAINTENANCE HOUR	SELLING PRICE
1	A6A-51110-00-02	FRAME COMP.	1		
2	A1A-52146-00-00	RUBBER	2		
3	A1A-53511-00-00	FR. WHEEL AXLE	1		
4	95800-08012-02	FLANGE BOLT 8X12	2		
5	A6A-52143-00-00	E/G HANGER BRKT,2	1		
6	94061-12000-03	FLANGE U NUT 12MM	1		
7	A1A-58644-00-10	CORE TUBE 17X12X102	1		
8	A1A-58645-00-10	CORE TUBE 17X12X21	1		
9	A6A-52142-00-00	E/G HANGER BRKT,1	1		
10	95800-08014-02	FLANGE BOLT 8X14	2		
11	A6A-52157-00-00	DAMPER,2	4		
12	95701-08036-02	HEXAGON FLANGE BOLT 8X36	1		
13	A1A-52156-00-00	DAMPER,1	10		
14	A6A-58110-00-00	REAR SHOCK ABSORBER	1		
15	94061-12000-03	FLANGE U NUT 12MM	1		
16	95800-12045-02	FLANGE BOLT 12X45	1		
17	A1A-56470-00-10	CHAIN ADJUSTER ASSY , 1	1		
18	92000-08040-02	HEX BOLT 8X40	1		



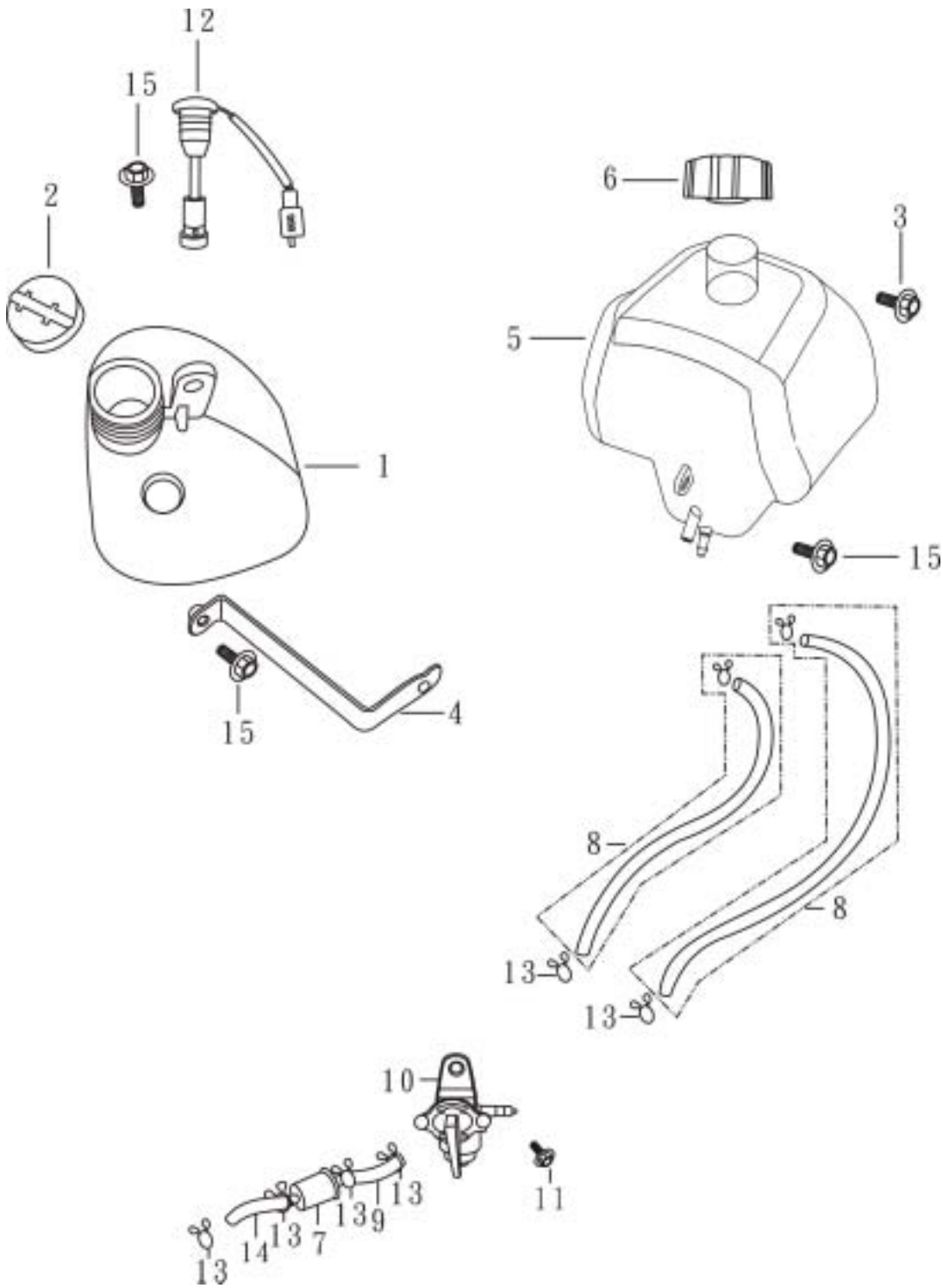


A2	SIDE COVER	MINI
----	-------------------	-------------

1	A6A-73511-00-00	FRONT COVER (BLACK)	1		
2	A1A-34630-00-00	OIL LIGHT ASSY.	1		
3	A6A-73531-00-00	SIDE COVER,1 (GREY)	1		
4	A6A-73541-00-00	SIDE COVER,2 (GREY)	1		
5	A6A-73411-00-00	FOOTWELL,1	1		
6	A6A-73421-00-00	FOOTWELL,2	1		
7	A6A-35427-00-00	REAR REFLECTOR STICKER	1		
8	93404-06016-03	BOLT W/WASHER 6X16	2		
9	A1A-73518-00-00	CLIP NUT 6MM	8		
10	93530-06018-02	PAN HEAD SCREW 6X18	14		
11	A1A-81113-00-01	RUBBER	1		
12	A1A-81110-00-10	TOOL KIT	1		
13	93404-06020-03	BOLT W/WASHER 6X20	2		
14	A1A-81116-00-00	SPARK PLUG SLEEVE 13/16"	1		
15	A1A-73527-00-00	BATTERY PACKING 100X65X25	1		
16	93900-05012-02	TAPPING SCREW 5X12	4		
17	94101-05164-24	WASHER 5MM	4		
18	A1A-35300-00-00	WINKER ASSY.	1		
19	93900-04012-02	TAPPING SCREW 4X12	4		
20	A1A-73537-00-00	CLIP NUT 4MM	4		

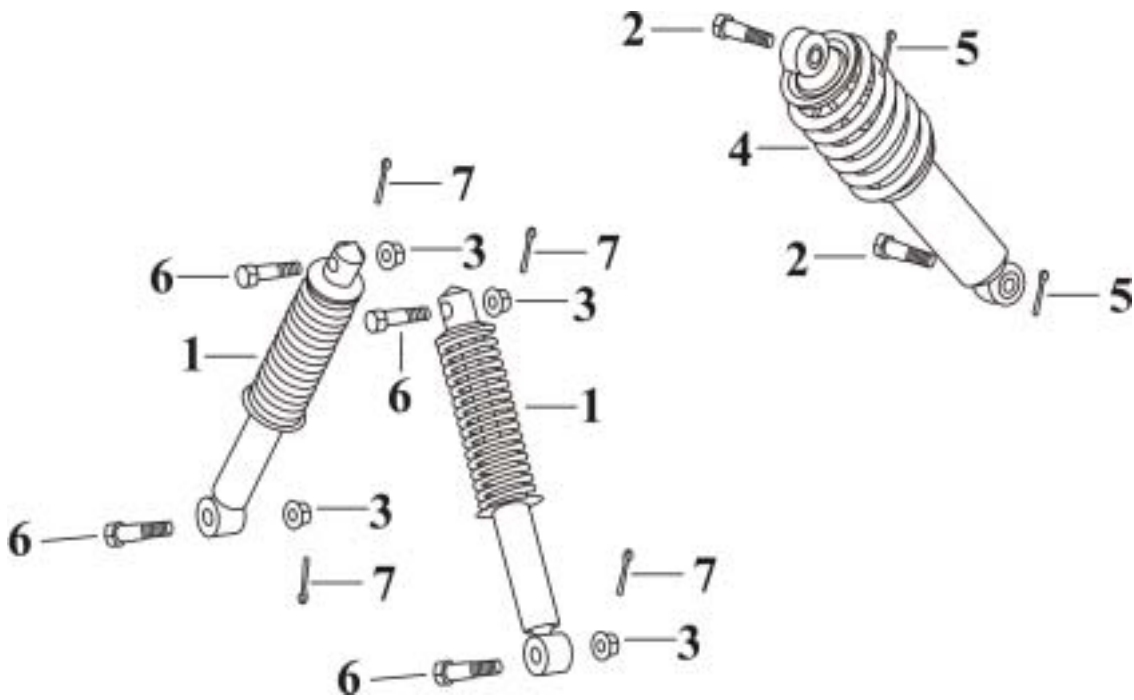
註解: 94.7.11 設變





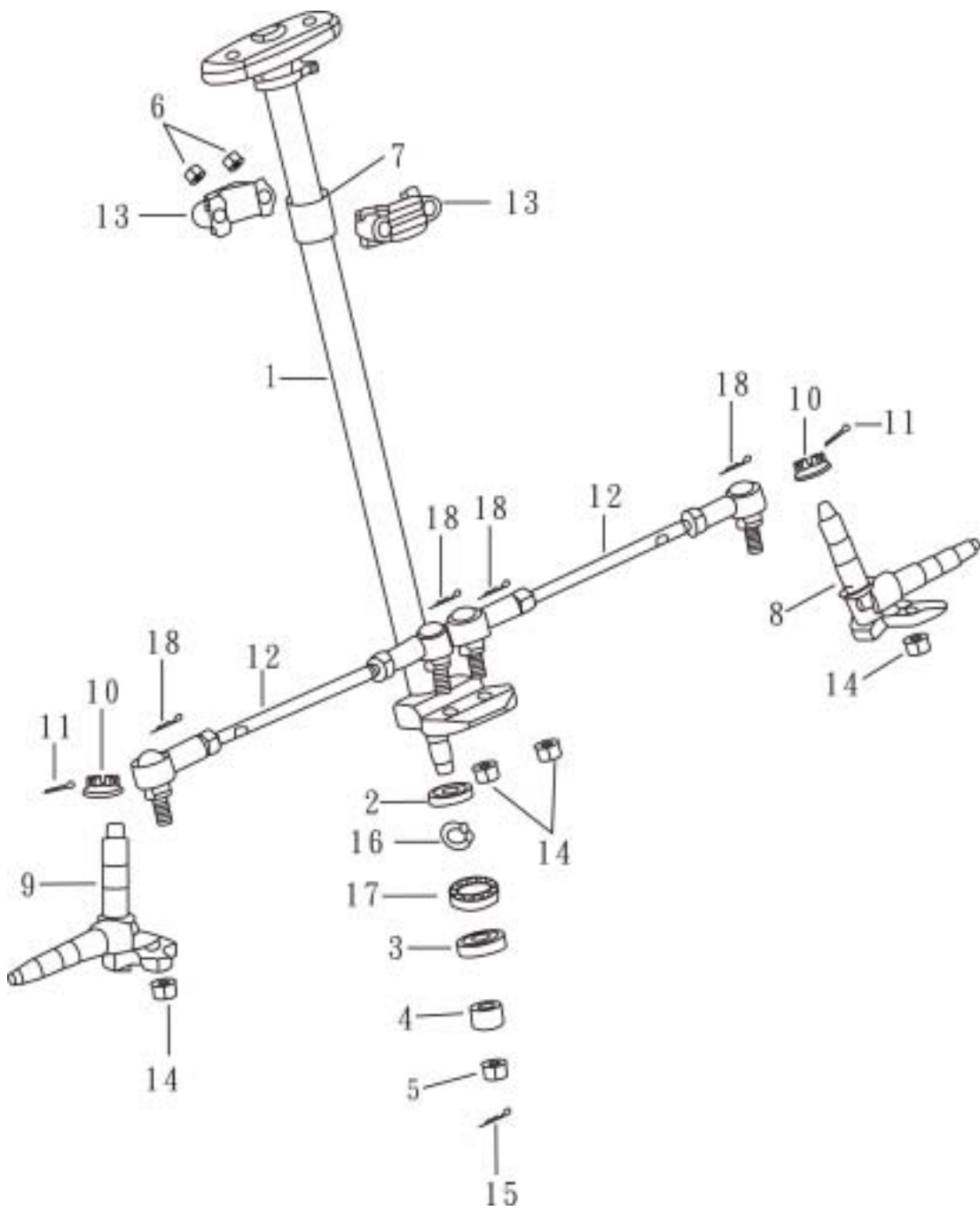
A3	OIL TANK / FUEL TANK	MINI
-----------	-----------------------------	-------------

ITEM	PARTS NO.	DESCRIPTION	REQD. NO.	MAINTENANCE HOUR	SELLING PRICE
1	A1A-63110-00-00	OIL TANK	1		
2	A1A-63131-00-00	OIL TANK CAP	1		
3	93404-06020-0A	BOLT W/WASHER 6X20	1		
4	A6A-63132-00-01	OIL TANK BRKT	1		
5	A6A-62110-00-00	FUEL TANK COMP.	1		
6	A1A-62211-00-00	FUEL TANK CAP	1		
7	A1A-62410-00-00	FUEL FILTER ASSY.	1		
8	A6A-62371-00-00	FUEL HOSE,1	2		
9	A6A-62372-00-00	FUEL HOSE,2	1		
10	A1A-62310-00-00	FUEL COCK ASSY.	1		
11	95800-06012-04	FLANGE BOLT 6X12	1		
12	A1A-63510-00-00	OIL LEVER GAUGE ASSY.	1		
13	94202-12900-00	CLIP	6		
14	A1A-62373-00-00	FUEL HOSE,3	1		
15	93404-06016-0A	BOLT W/WASHER 6X16	3		



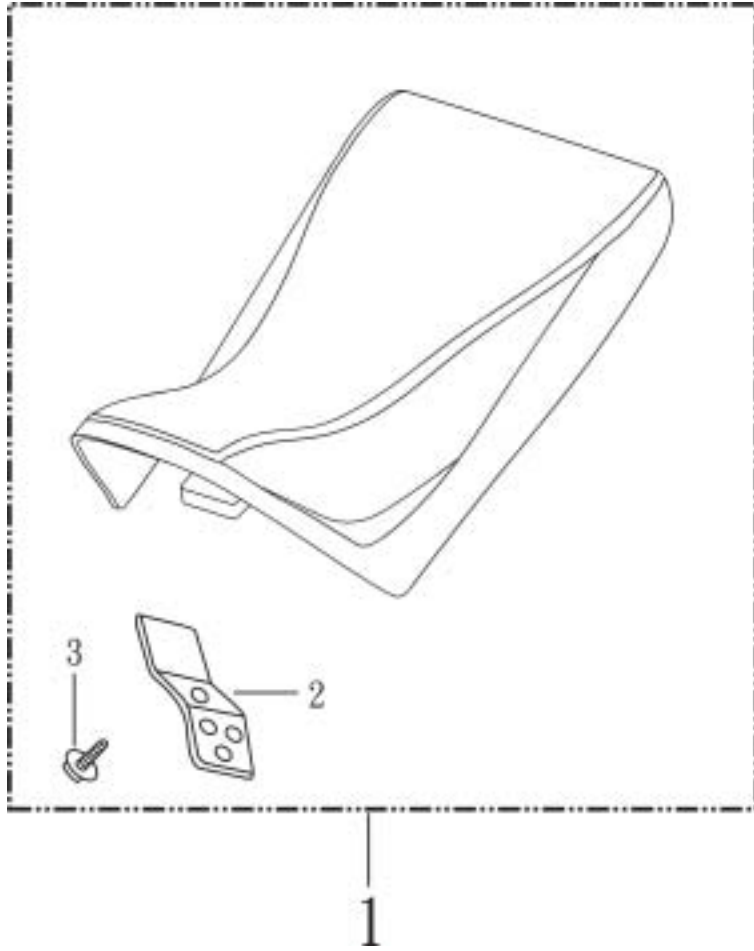
A4	SUSPENSION	MINI
-----------	-------------------	-------------

ITEM	PARTS NO.	DESCRIPTION	REQD. NO.	MAINTENANCE HOUR	SELLING PRICE
1	A6A-57210-10-00	FR.SHOCK ABSORBER ASSY.	2		
2	95827-10040-04	BOLT W/HOLE 10X40	2		
3	94061-10000-03	FLANGE U NUT 10MM	4		
4	A6A-58210-10-00	RR. SHOCK ABSORBER ASSY.	1		
5	94251-12221-00	SPLIT PIN 1.2X22	2		
6	95827-10045-04	BOLT W/HOLE 10X45	4		
7	94021-25190-03	SPLIT PIN 2.5X19	4		



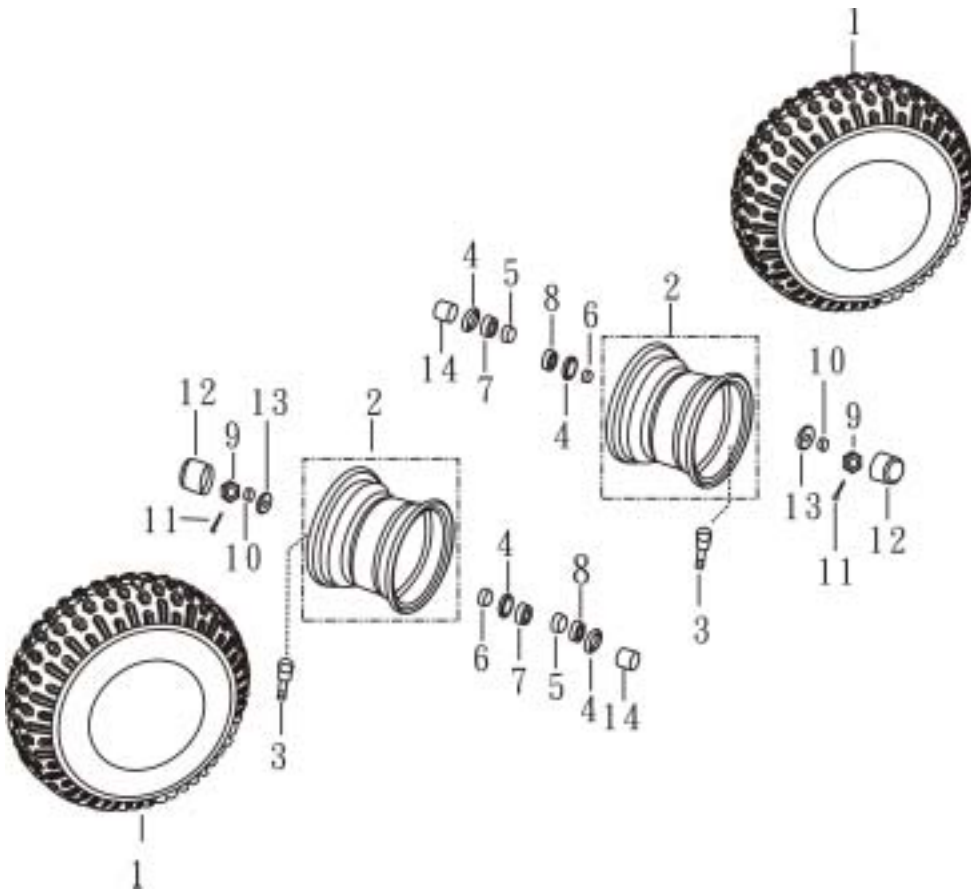
A5	STEERING	MINI
-----------	-----------------	-------------

ITEM	PARTS NO.	DESCRIPTION	REQD. NO.	MAINTENANCE HOUR	SELLING PRICE
1	A6A-72140-00-00	SHAFT STEERING	1		
2	91201-18032-70	OIL SEAL 18X32X7	1		
3	91201-22035-70	OIL SEAL 22X35X7	1		
4	A1A-55446-00-00	COLLAR	1		
5	94061-14000-01	FLANGE U NUT 14MM	1		
6	94051-08000-03	FLANGE NUT 8MM	2		
7	A1A-72158-00-00	SLEEVE	1		
8	A1A-72144-00-00	KNUCKLE,1	1		
9	A1A-72154-00-00	KUNCKLE,2	1		
10	A1A-72168-00-00	NUT 10MM	2		
11	94201-18213-03	SPLIT PIN 1.8X21.3	2		
12	A6A-72143-00-20	STEERING TIE. ROD ASSY.1	2		
13	A1A-72146-00-00	HOLDER, STEERING SHAFT	2		
14	94061-10000-03	FLANGE U NUT 10MM	4		
15	94201-22305-03	SPLIT PIN 2.2X30.5	1		
16	94521-12320-00	C CLIP 32MM	1		
17	96123-06002-20-C	BEARING 6002ZZ	1		
18	94201-25190-03	SPLIT PIN 2.5X19	4		



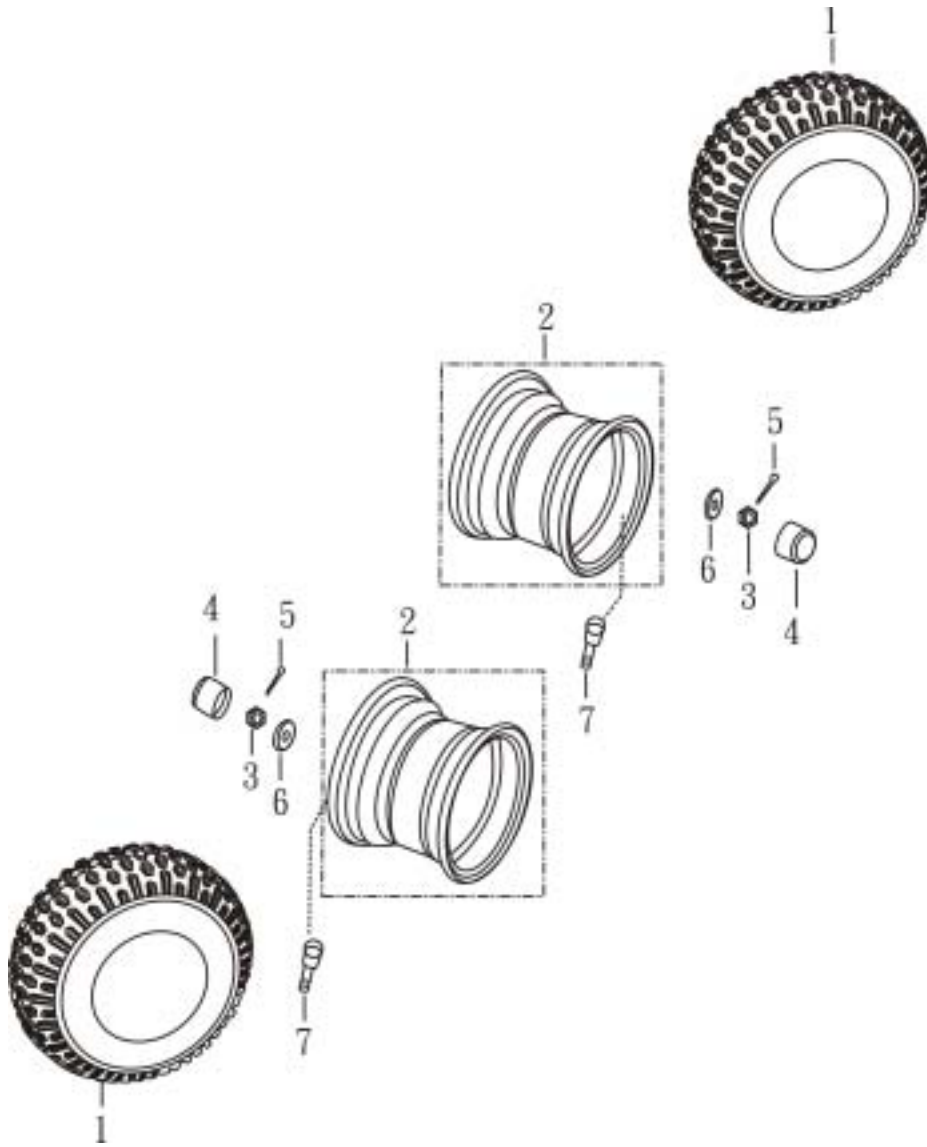
A6	SEAT ASSY.	MINI
-----------	-------------------	-------------

ITEM	PARTS NO.	DESCRIPTION	REQD. NO.	MAINTENANCE HOUR	SELLING PRICE
1	A6A-76111-60-00	SEAT ASSY.	1		
2	A1A-76162-00-00	BRACKET	1		
3	93900-04012-04	TAPPING SCREW 4X12	2		



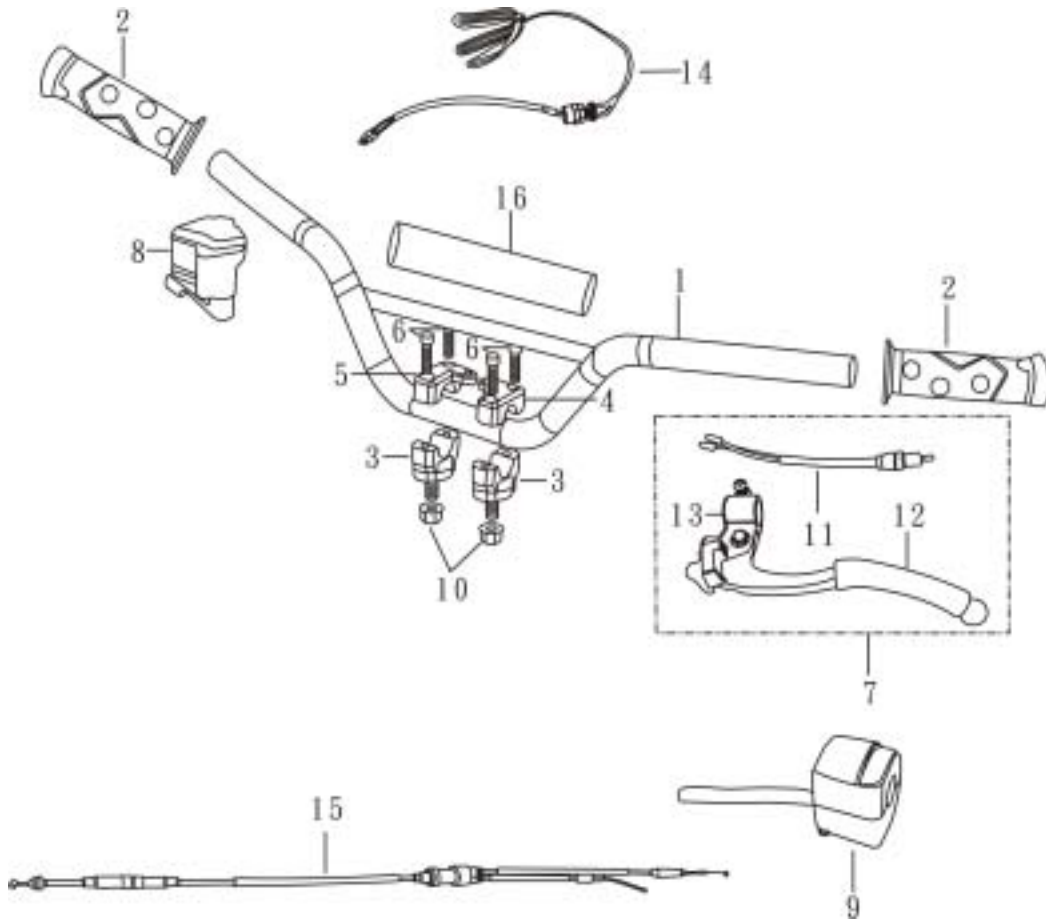
A7	FRONT WHEEL	MINI
-----------	--------------------	-------------

ITEM	PARTS NO.	DESCRIPTION	REQD. NO.	MAINTENANCE HOUR	SELLING PRICE
1	A6A-53311-00-00	TIRE 145/70-6	2		
2	A6A-53210-00-00	WHEEL COMP.6"	2		
3	A1A-53322-00-00	RIM VALVE	2		
4	91201-22035-70	OIL SEAL 22X35X7	4		
5	A1A-55456-00-00	COLLAR	2		
6	A1A-55446-00-00	COLLAR	2		
7	96120-06003-10-C	BALL BEARING 6003Z	2		
8	96123-06002-20-C	BALL BEARING 6002ZZ	2		
9	A1A-53266-00-00	NUT 12MM	2		
10	A1A-53257-00-00	WASHER	2		
11	94201-22305-03	SPLIT PIN 2.2X30.5	2		
12	A1A-53268-00-00	ROBBER CAP	2		
13	A1A-53256-00-00	WASHER	2		
14	A6A-55457-00-00	COLLAR	2		



A8	REAR WHEEL	MINI
-----------	-------------------	-------------

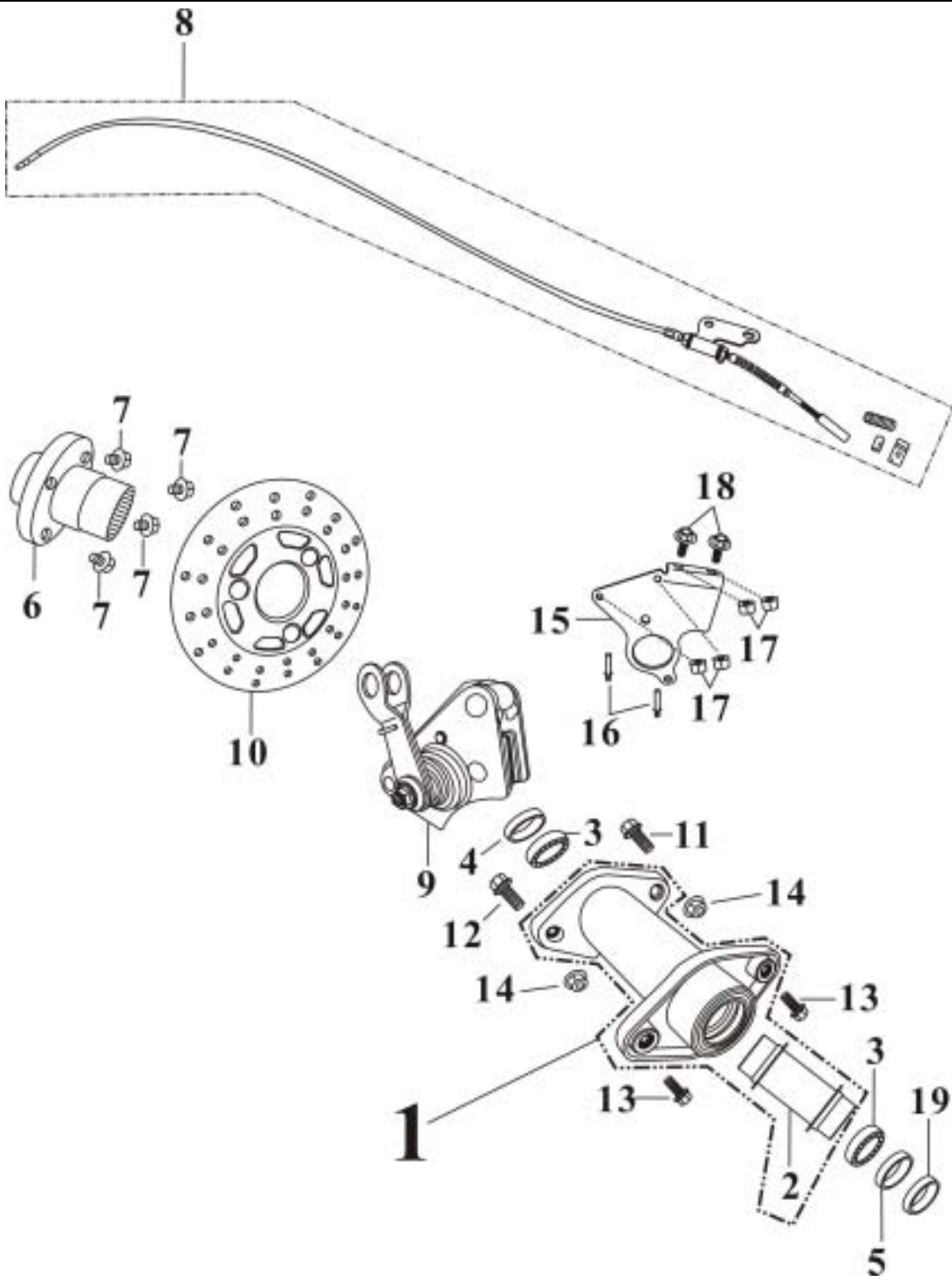
ITEM	PARTS NO.	DESCRIPTION	REQD. NO.	MAINTENANCE HOUR	SELLING PRICE
1	A6A-53311-00-00	TIRE 145/70-6	2		
2	A6A-54210-00-00	WHEEL COMP. 6"	2		
3	A1A-54266-00-00	CASTLE NUT 14MM	2		
4	A1A-53268-00-00	ROBBER CAP	2		
5	94201-22305-03	SPLIT PIN 2.2X30.5	2		
6	A4A-54256-00-00	WASHER 40X 14.3 T=3MM	2		
7	A1A-53322-00-00	PIM VALVE	2		



A9	HANDLE BAR	MINI
-----------	-------------------	-------------

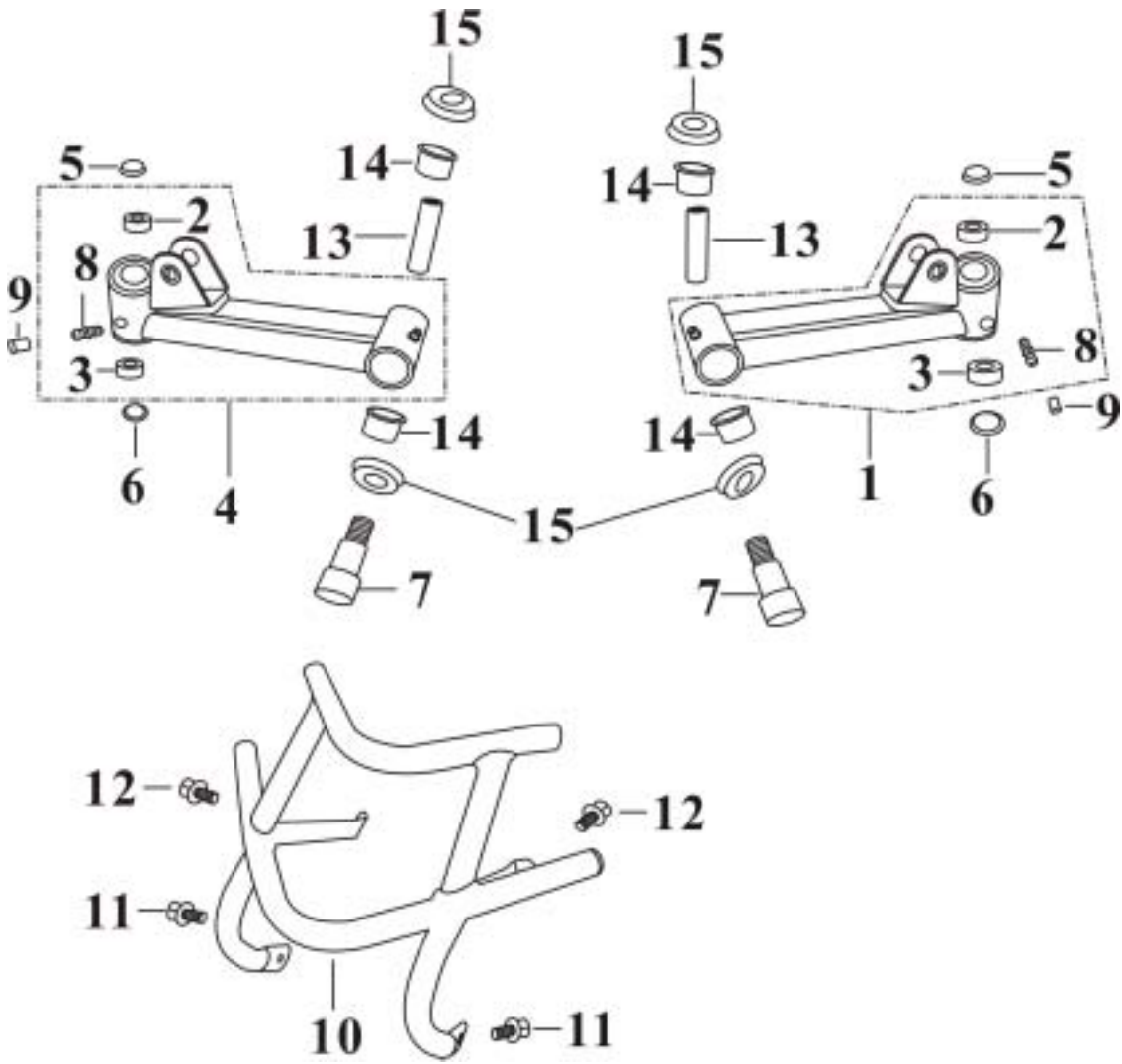
ITEM	PARTS NO.	DESCRIPTION	REQD. NO.	MAINTENANCE HOUR	SELLING PRICE
1	A6A-72110-00-00	HANDLE COMP.	1		
2	A6A-72251-00-00	GRIP	2		
3	A1A-72222-00-10	HANDLE HOLDER ASSY.	2		
4	A1A-72225-00-00	HANDLE HOLDER COVER,1	1		
5	A1A-72235-00-00	HANDLE HOLDER COVER,2	1		
6	96700-06025-02	SOCKET BOLT 6X25	4		
7	A6A-37750-00-00	LEVEL ASSY. LEFT	1		
8	A6A-37850-00-00	LEVEL ASSY. RIGHT	1		
9	A6A-37700-00-00	LEFT HANDLE SWITCH ASSY.	1		
10	94061-10000-03	FLANGE U NUT 10MM	2		
11	A1A-37770-00-00	STOP SWITCH ASSY.	1		
12	A1A-72253-00-00	LEFT LEVER	1		
13	A1A-37751-00-00	LEFT BODY	1		
14	A1A-66212-00-12	SAFETY SWITCH	1		
15	A6A-68410-00-00	THROTTLE CABLE ASSY.	1		
16	A6A-81114-60-00	HANDLEBAR COVER (BLACK BACKGROUND WITH WHITE WORDS)	1		
	A6A-81114-81-00	HANDLEBAR COVER (SLIVER GRAY BACKGROUND WITH BLACK WORDS)	1		
	A6A-81114-10-00	HANDLEBAR COVER (RED BACKGROUND WITH WHITE WORDS)	1		

註解: 95.4.18 設變



A10	REAR BRAKE	MINI
------------	-------------------	-------------

ITEM	PARTS NO.	DESCRIPTION	REQD. NO.	MAINTENANCE HOUR	SELLING PRICE
1	A6A-54521-00-00	SPACER TUBE	1		
2	A6A-54522-00-00	SPACER TUBE	1		
3	96120-06006-20-C	BALL BEARING 6006Z	2		
4	91201-35055-11	OIL SEAL 35X55X11	1		
5	91201-40055-70	OIL SEAL 40X55X7	1		
6	A1A-56034-00-00	BRAKE DISK STAY	1		
7	96700-06014-04	SOCKET BOLT 6X14	4		
8	A6A-68210-00-01	BRAKE CABLE	1		
9	A1A-56020-00-01	CALIPER ASSY.	1		
10	A6A-56033-00-00	BRAKE DISC 155MM	1		
11	92000-12050-02	HEX BOLT 12X50	1		
12	95800-12050-02	FLANGE BOLT 12X50	1		
13	95800-12028-02	FLANGE BOLT 12X28	2		
14	94060-12000-03	FLANGE NUT 12MM	2		
15	A6A-56022-00-00	CALIPER STAY	1		
16	A1A-56029-00-00	CALIPER STAY BOLT	2		
17	94051-08000-03	FLANGE U NET 8MM	4		
18	95800-08020-02	FLANGE BOLT 8X20	2		
19	A1A-26956-00-00	COLLAR	1		



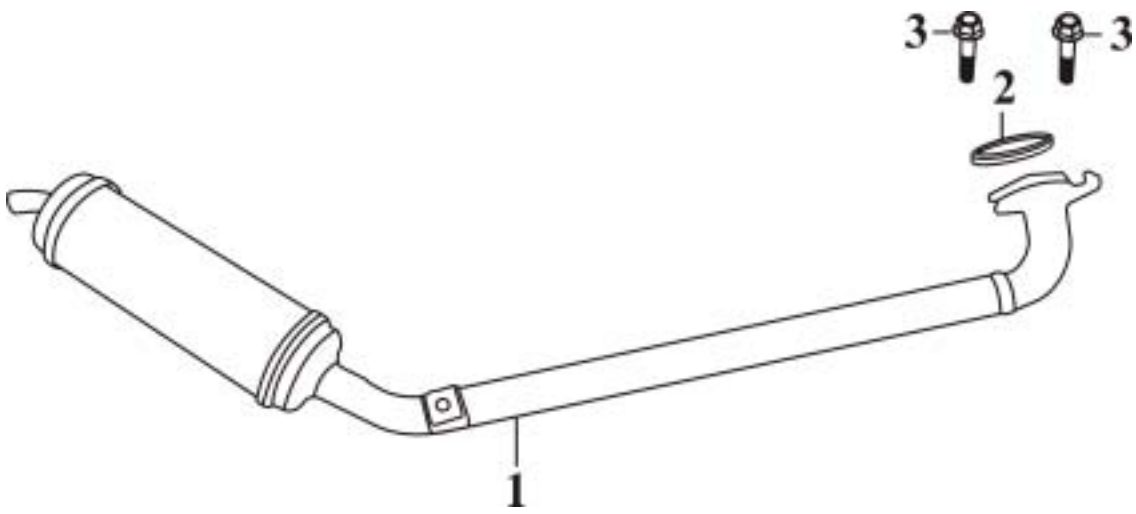
A11	SWING ARM / FOOTREST / FEND BAR	MINI
------------	--	-------------

ITEM	PARTS NO.	DESCRIPTION	REQD. NO.	MAINTENANCE HOUR	SELLING PRICE
1	A6A-57411-00-00	FRONT SWING ARM,1	1		
2	A1A-57358-00-00	BUSH CONTAIN OIL,2	2		
3	A1A-57357-00-00	BUSH CONTAIN OIL,1	2		
4	A6A-57421-00-00	FRONT SWING ARM,2	1		
5	A1A-57329-00-00	WATERPROOF COVER	2		
6	A1A-57336-00-00	DUST SEAL	2		
7	95801-10080-02	FLANGE BOLT 10X80	2		
8	A1A-57367-00-00	GREASE VALVE	4		
9	A1A-57368-00-00	GREASE VALVE CAP	4		
10	A6A-52151-60-00	FRONT FENDER ROD	1		
11	95800-08016-02	FLANGE BOLT 8X16	2		
12	95800-06012-02	FLANGE BOLT 6X12	2		
13	A4A-57447-00-00	BUSH,1	4		
14	A4A-57427-00-00	COLLAR	4		
15	A4A-57419-00-00	DUST SEAL COVER OS-8492	4		

A12

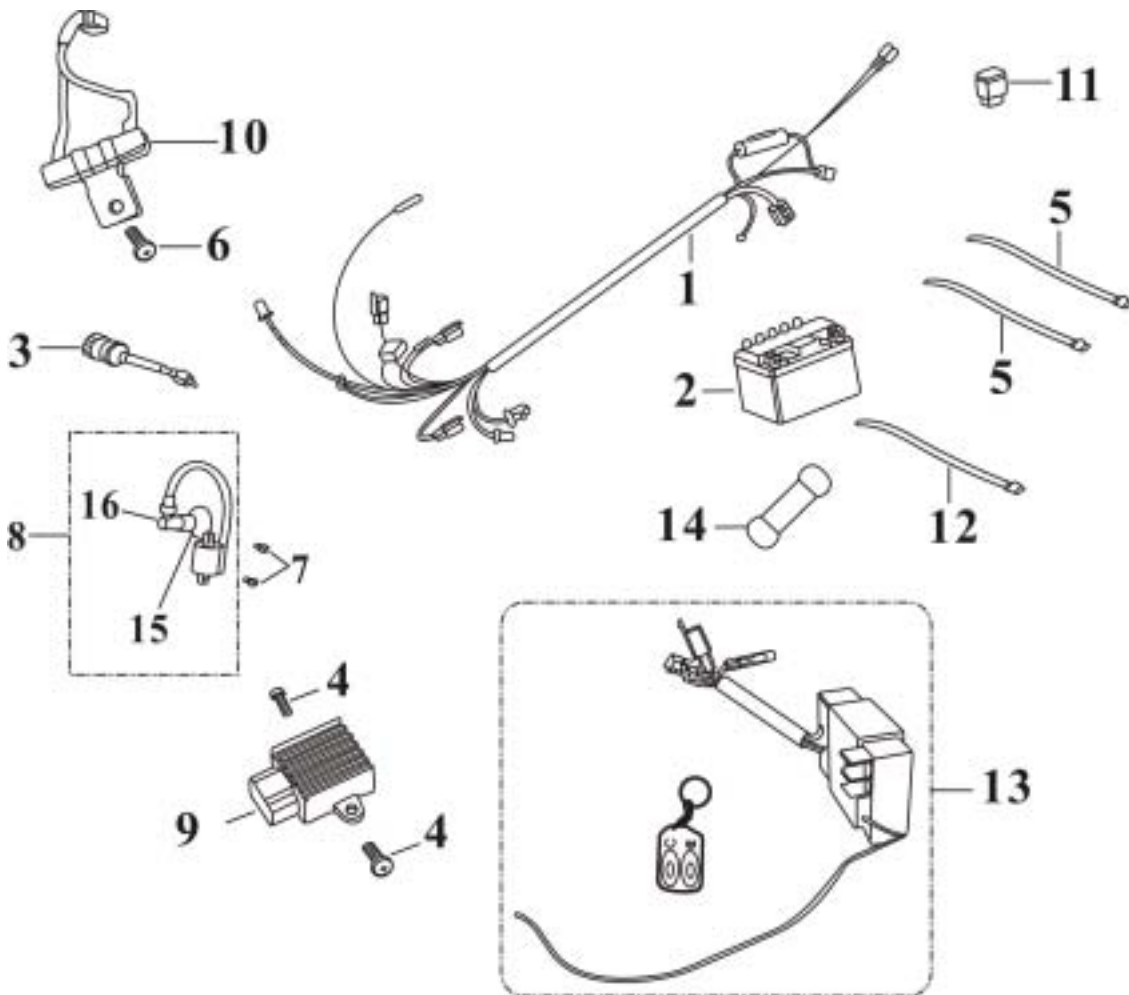
MUFFLER ASSY

MINI



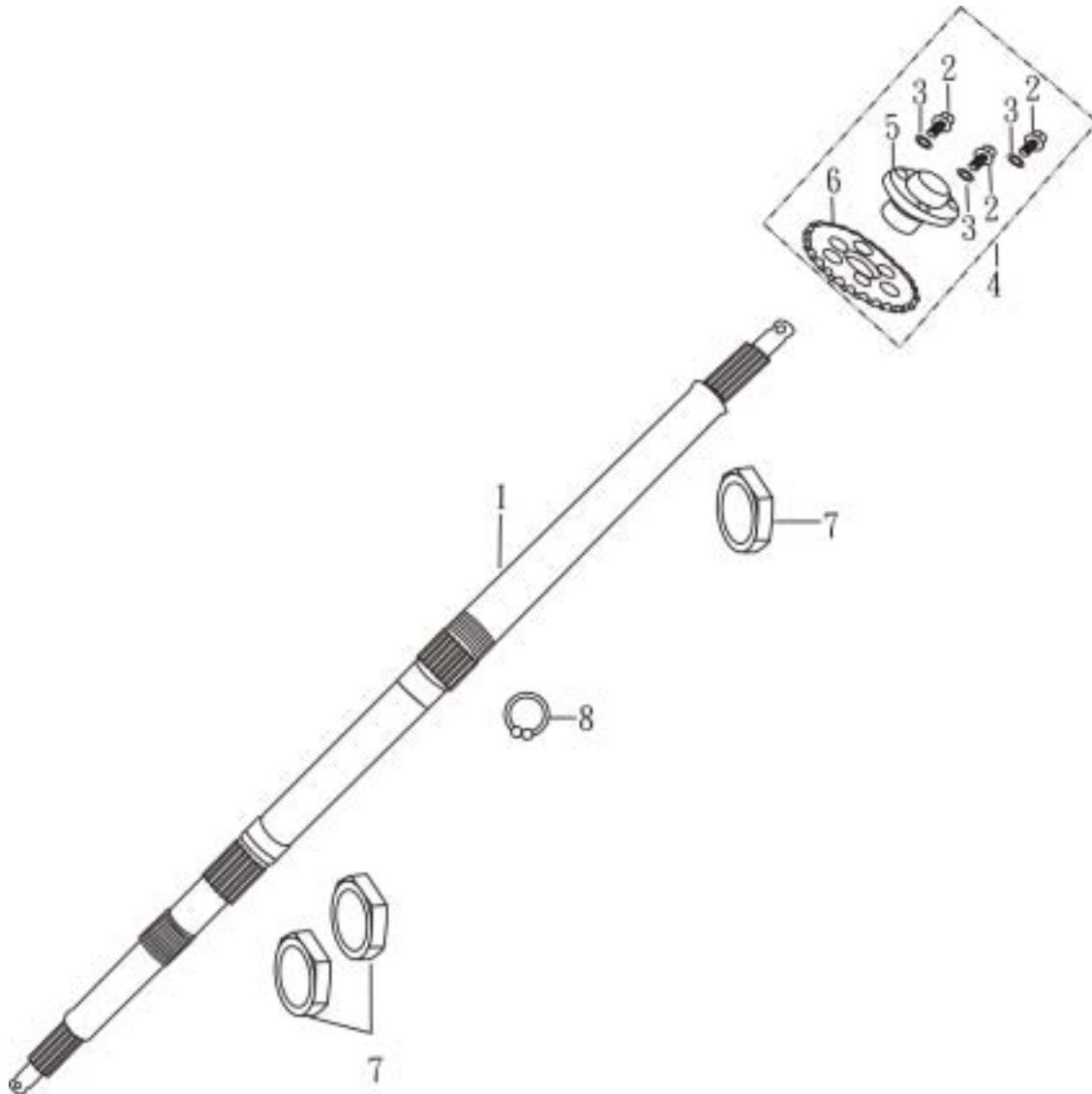
A12	MUFFLER ASSY	MINI
------------	---------------------	-------------

ITEM	PARTS NO.	DESCRIPTION	REQD. NO.	MAINTENANCE HOUR	SELLING PRICE
1	A6A-28200-00-01	EXHAUST PIPE ASSY.	1		
2	A1A-28131-00-00	EXHAUST PIPE GASKET	1		
3	95801-06018-03	FLANGE BOLT 6X18	2		



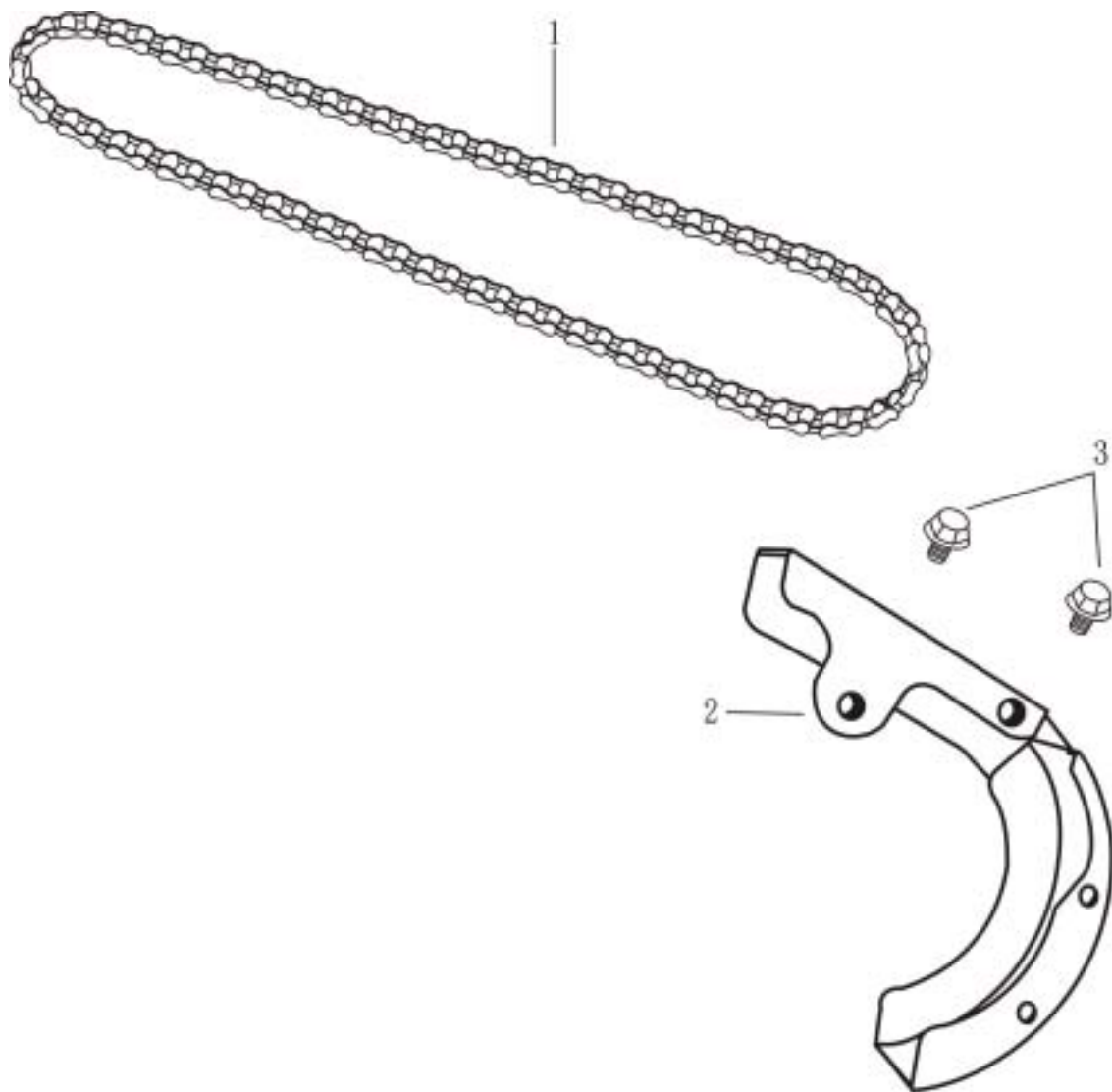
A13	ELECTRICAL PARTS	MINI
------------	-------------------------	-------------

ITEM	PARTS NO.	DESCRIPTION	REQD. NO.	MAINTENANCE HOUR	SELLING PRICE
1	A6A-33610-00-00	WIRE HARNESS ASSY.	1		
2	A6A-33410-00-00	BATTERY ASSY.	1		
3	A1A-66210-00-00	MAIN SWITCH ASSY.	1		
4	93500-05012-03	PAN HEAD SCREW 5X12	2		
5	94402-02502-01	BAND 250	2		
6	93500-06012-03	PAN HEAD SCREW 6X12	1		
7	92000-06016-02	BOLT 6X16	2		
8	M1A-33140-00-00	IGNITION COIL ASSY.	1		
9	M1A-31310-00-00	REG. REC. COMP.	1		
10	A1A-38410-00-00	RESISTOR COMP.	1		
11	M1A-38310-00-00	STARTER RELAY ASSY.	1		
12	94404-03001-01	BAND 300MM	1		
13	A6A-66230-00-01	REMOTE CONTROL ASSY.	1		
14	A1A-81113-00-01	RUBBER	1		
15	M1A-33161-00-00	PLUG STAY	1		
16	M1A-33151-00-00	PLUG CUP COMP.	1		



A14	REAR WHEEL AXLE	MINI
------------	------------------------	-------------

ITEM	PARTS NO.	DESCRIPTION	REQD. NO.	MAINTENANCE HOUR	SELLING PRICE
1	A6A-54511-00-01	REAR WHEEL AXLE	1		
2	95800-08020-02	FLANGE BOLT 8X20	3		
3	94111-08145-33	SPPING WASHER 8MM	3		
4	A6A-26950-00-00	SPROCKET ASSY. 428-35T	1		
5	A6A-26955-00-00	SPROCKET HOLDER	1		
6	A1A-26930-00-00	SPROCKET	1		
7	A1A-54524-00-00	CASTLE NUT 28MM	3		
8	94511-13260-00	C CLIP	1		



A15	CHAIN	MINI
------------	--------------	-------------

ITEM	PARTS NO.	DESCRIPTION	REQD. NO.	MAINTENANCE HOUR	SELLING PRICE
1	A6A-26960-00-01	DRIVE CHAIN 428HX60	1		
2	A6A-26942-00-01	CHAIN CASE,2	1		
3	95800-08020-02	FLANGE BOLT 8X20	2		