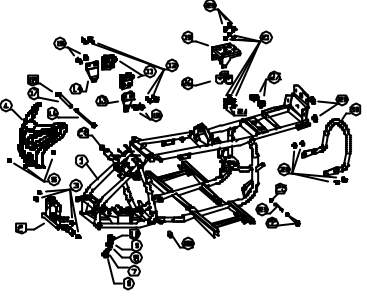

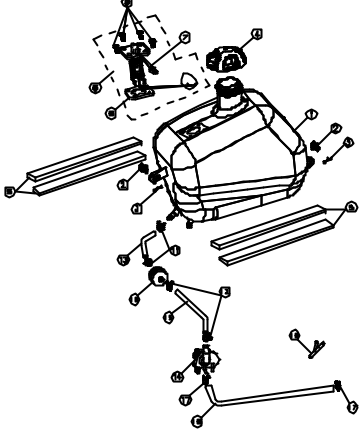
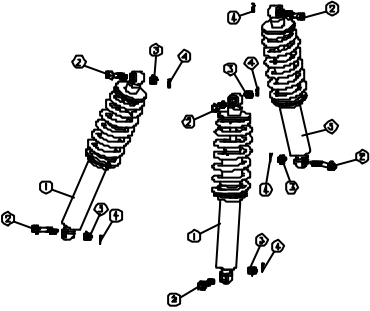
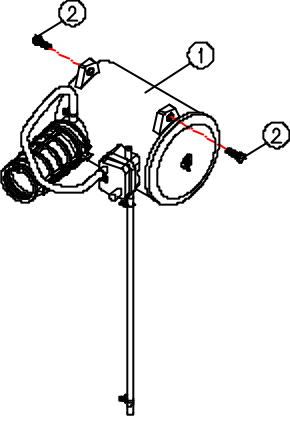
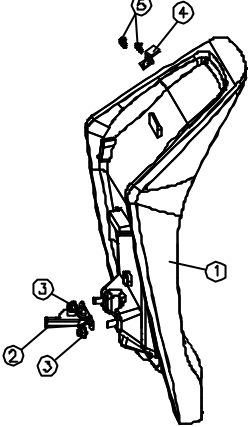
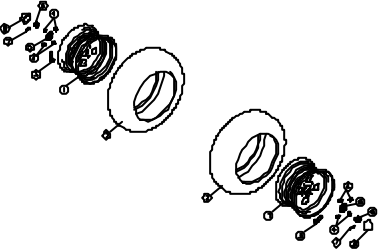

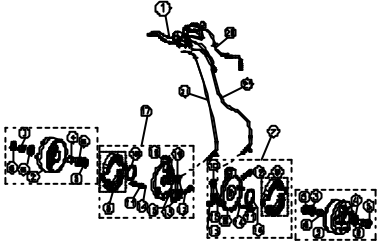


**FRAMED
PARTS LIST
CPI**

A09-40000-00-00

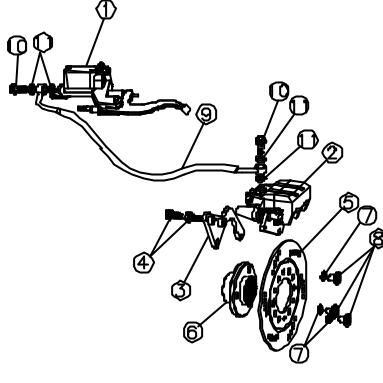
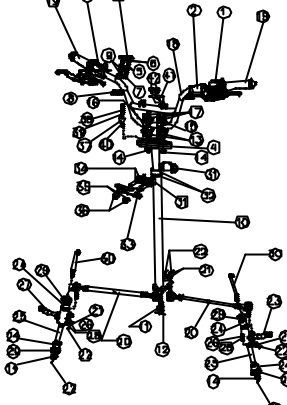
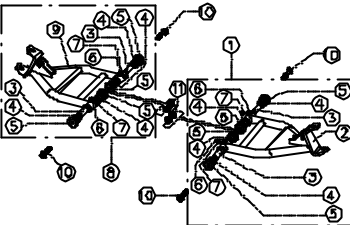
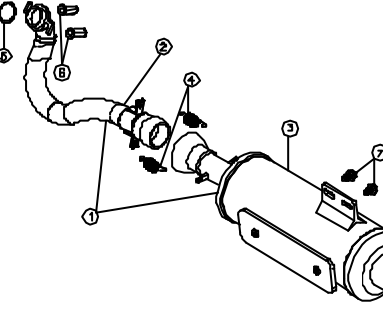
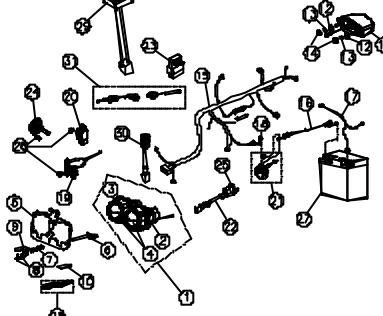
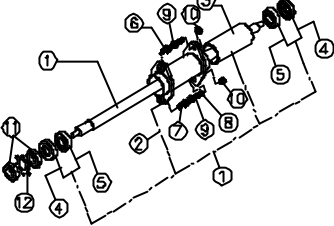
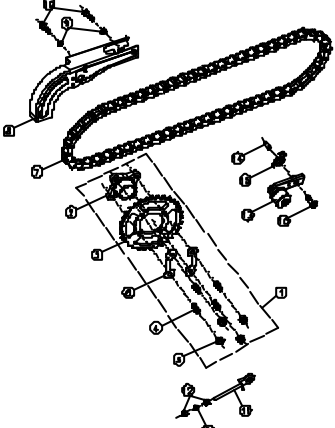
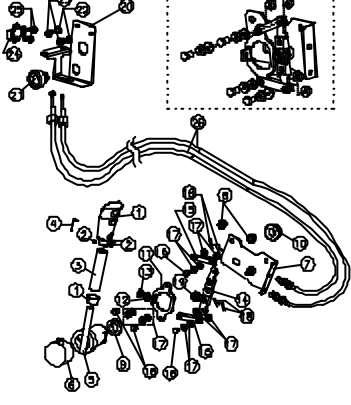
CONTENTS-FRAME GROUP

ATV-150

F1	FRAME	F2	SIDE COVER	F3	FUEL TANK
					
F4	FRONT/REAR SHOCK ABSORBER	F5	AIR CLEANER	F6	SEAT
					
F7	FRONT WHEEL	F8	REAR WHEEL	F9	FRONT BRAKE
					

CONTENTS-FRAME GROUP

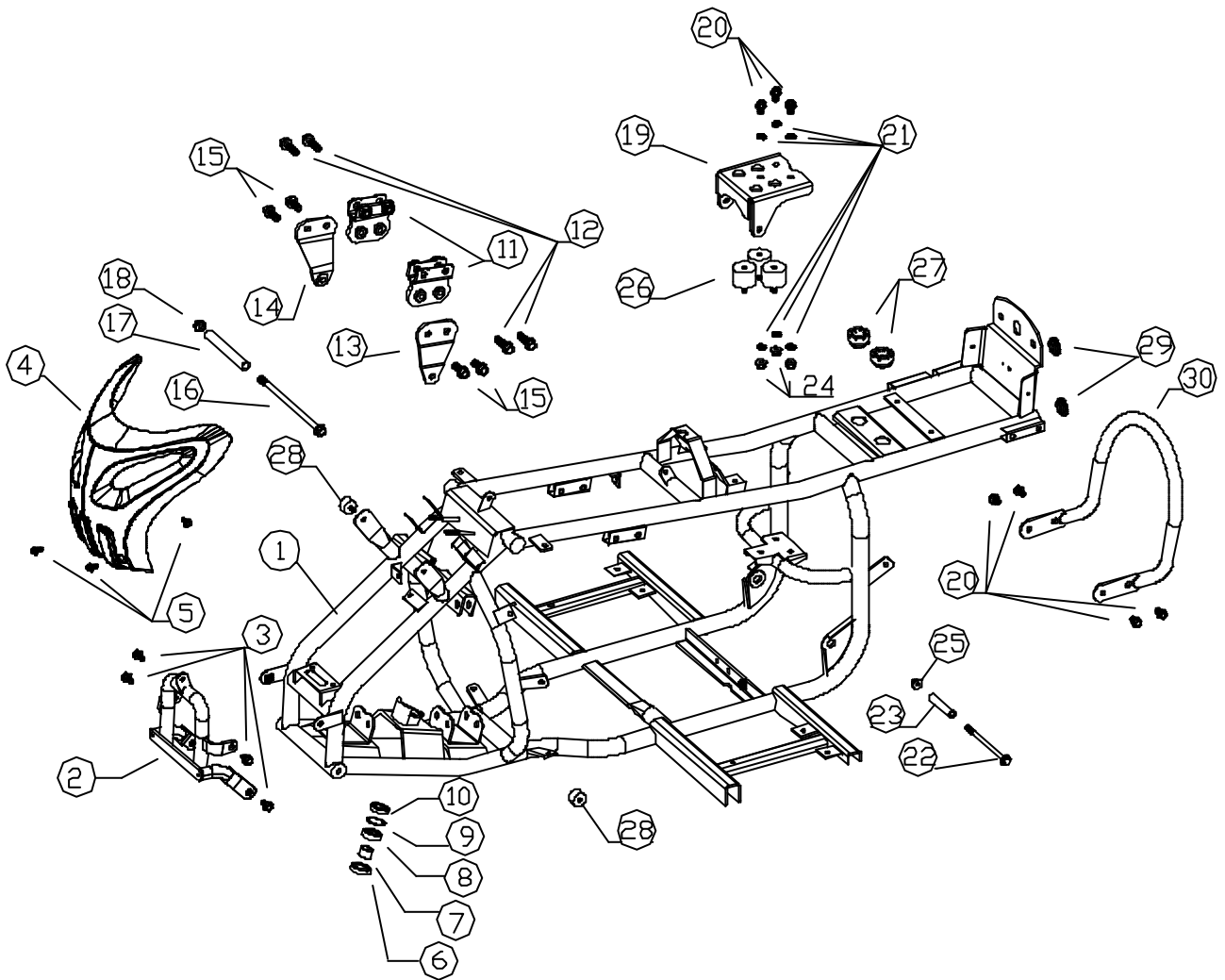
ATV-150

F10	F11	F12
<p>REAR BRAKE</p> 	<p>HANDLE BAR</p> 	<p>FRONT SWING ARM</p> 
<p>MUFFLER ASSY</p> 	<p>ELECTRICAL PARTS</p> 	<p>REAR WHEEL AXLE</p> 
<p>SPROCKET</p> 	<p>REVERS SYSTEM</p> 	

F1

FRAME

ATV-150



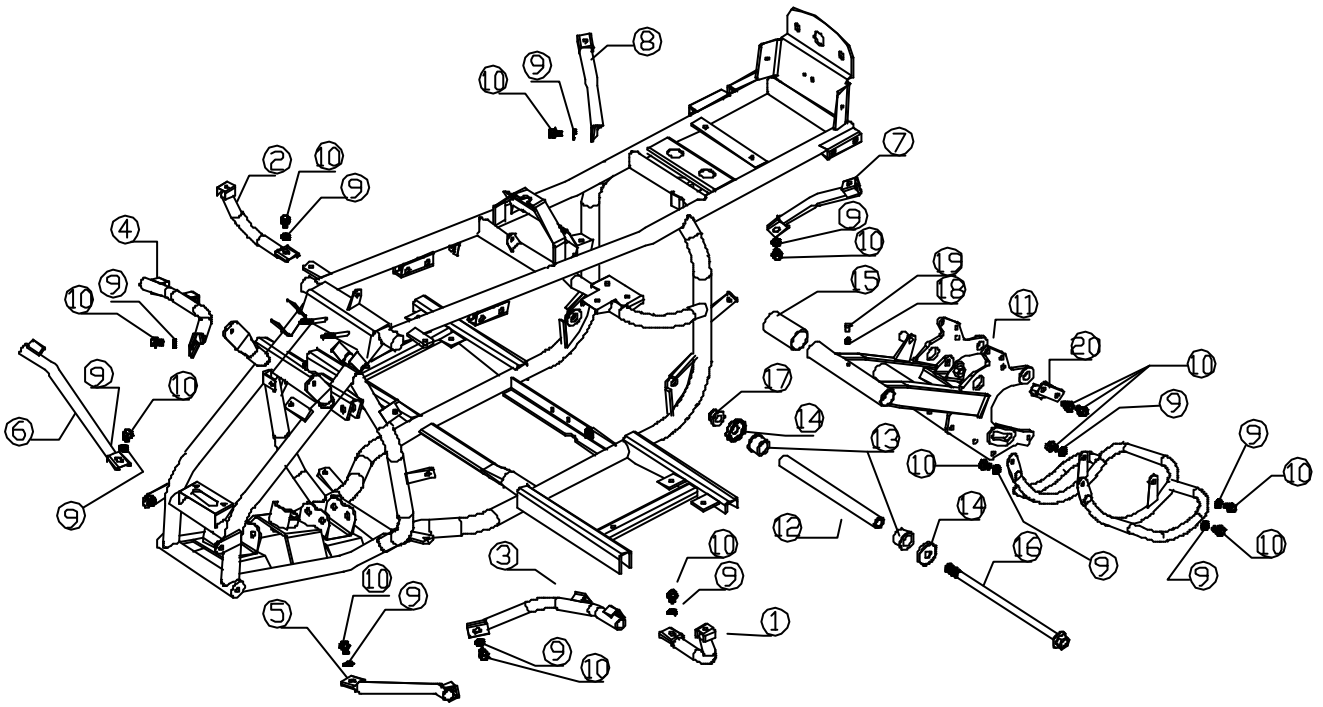
F1**FRAME**

ITEM	PARTS NO.	DESCRIPTION	REQD. NO.	REMARK
			ATV150	
1	A09-41110-00-00	FRAME COMP.	1	
2	A01-42151-00-00	FRONT FENDER ROD	1	
3	S-5800-08016-02	FLANGE BOLT 8X16	4	
4	A01-63641-00-00	FRONT BUMPER	1	
5	S-5800-06012-02	FLANGE BOLT 6X12	3	
6	S-1201-18032-70	OIL SEAL 18X32X7	1	
7	B11-45446-00-00	COLLAR	1	
8	S-6123-06002-20	BEARING 6002 ZZ	1	
9	S-4521-12320-00	CIR-CLIP 32MM	1	
10	S-1201-22035-70	OIL SEAL 22X35X7	1	
11	A09-42142-00-00	ENG. HANGER BRKT,1	2	
12	S-5800-10035-02	FLANGE BOLT 10X35	4	
13	A09-42152-00-00	ENG. HANGER BRKT,2	1	
14	A09-42162-00-00	ENG. HANGER BRKT,3	1	
15	S-5800-10025-02	FLANGE BOLT 10X25	4	
16	A01-42181-00-00	E/G MOUNTING BOLT	1	
17	A01-48644-00-00	SLEEVE	1	
18	S-4061-10000-03	FLANGE U NUT M10	1	
19	A09-42182-00-00	ENG. HANGER BRKT,4	1	
20	S-5800-08014-02	FLANGE BOLT 8X14	7	
21	S-4111-08145-33	SPRING WASHER	6	
22	A09-42191-00-00	E/G MOUNTING BOLT	1	
23	A09-48645-00-00	SLEEVE	1	
24	S-4050-08000-13	FLANGE NUT M8	3	
25	S-4051-08000-02	FLANGE U NUT M8	1	
26	A09-48665-00-00	DAMPER	3	
27	B11-42146-00-00	RUBBER	2	
28	81H-06914-00-00	DAMPER	2	
29	81A-07111-20-00	DAMPER	2	
30	A09-67511-00-00	RR. GRIP	1	

F1

FRAME

ATV-150



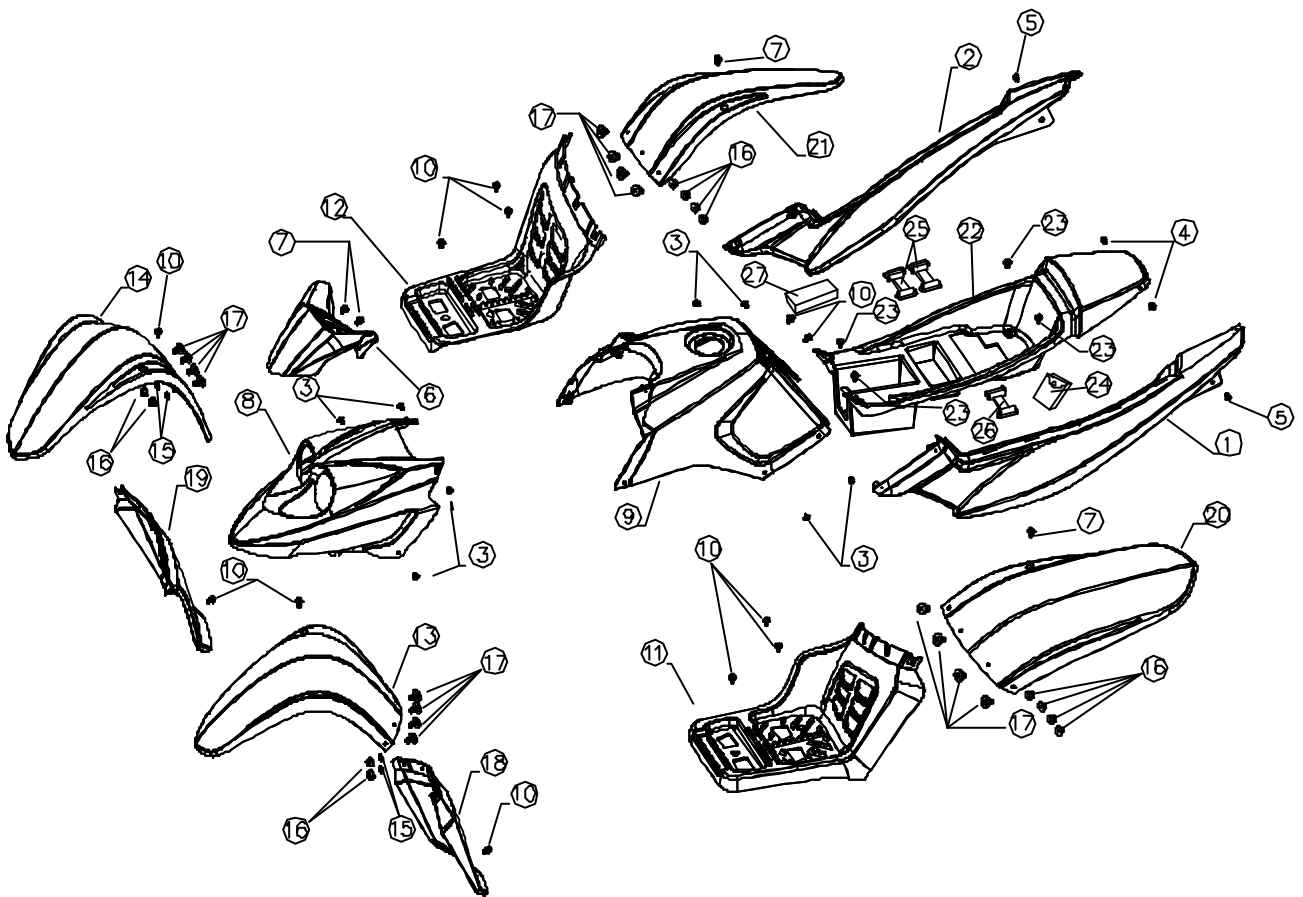
F1**FRAME**

ITEM	PARTS NO.	DESCRIPTION	REQD. NO.	REMARK
			ATV-150	
1	A01-64123-00-00	FRONT FENDER BRACKER,1	1	
2	A01-64133-00-00	FRONT FENDER BRACKER,2	1	
3	A01-64143-00-00	FRONT FENDER BRACKER,3	1	
4	A01-64153-00-00	FRONT FENDER BRACKER,4	1	
5	A01-64163-00-00	FRONT FENDER BRACKER,5	1	
6	A01-64173-00-00	FRONT FENDER BRACKER,6	1	
7	A01-64261-00-00	REAR FENDER BRACKER,1	1	
8	A01-64271-00-00	REAR FENDER BRACKER,2	1	
9	S-4111-08155-31	SPRING WASHER	12	
10	S-5800-08012-02	FLANGE BOLT 8X12	12	
11	A09-48110-00-00	REAR FORK COMP.	1	
12	T58-48151-00-00	REAR FORK SPACER SLEEVE	1	
13	B11-48155-00-00	BUSHING CONTAIN OIL	2	
14	B11-48165-00-00	REAR FORK SEAL COVER	2	
15	B11-48175-00-00	RUBBER SLEEVE	1	
16	A01-48161-00-00	REAR FORK SET BOLT	1	
17	S-4061-14000-01	FLANGE U NUT M14	1	
18	B11-47367-00-00	GREASE VALVE	1	
19	B11-47368-00-00	GREASE VALVE CAP	1	
20	T58-45375-00-00	BRACKET	1	

F2

SIDE COVER

ATV-150



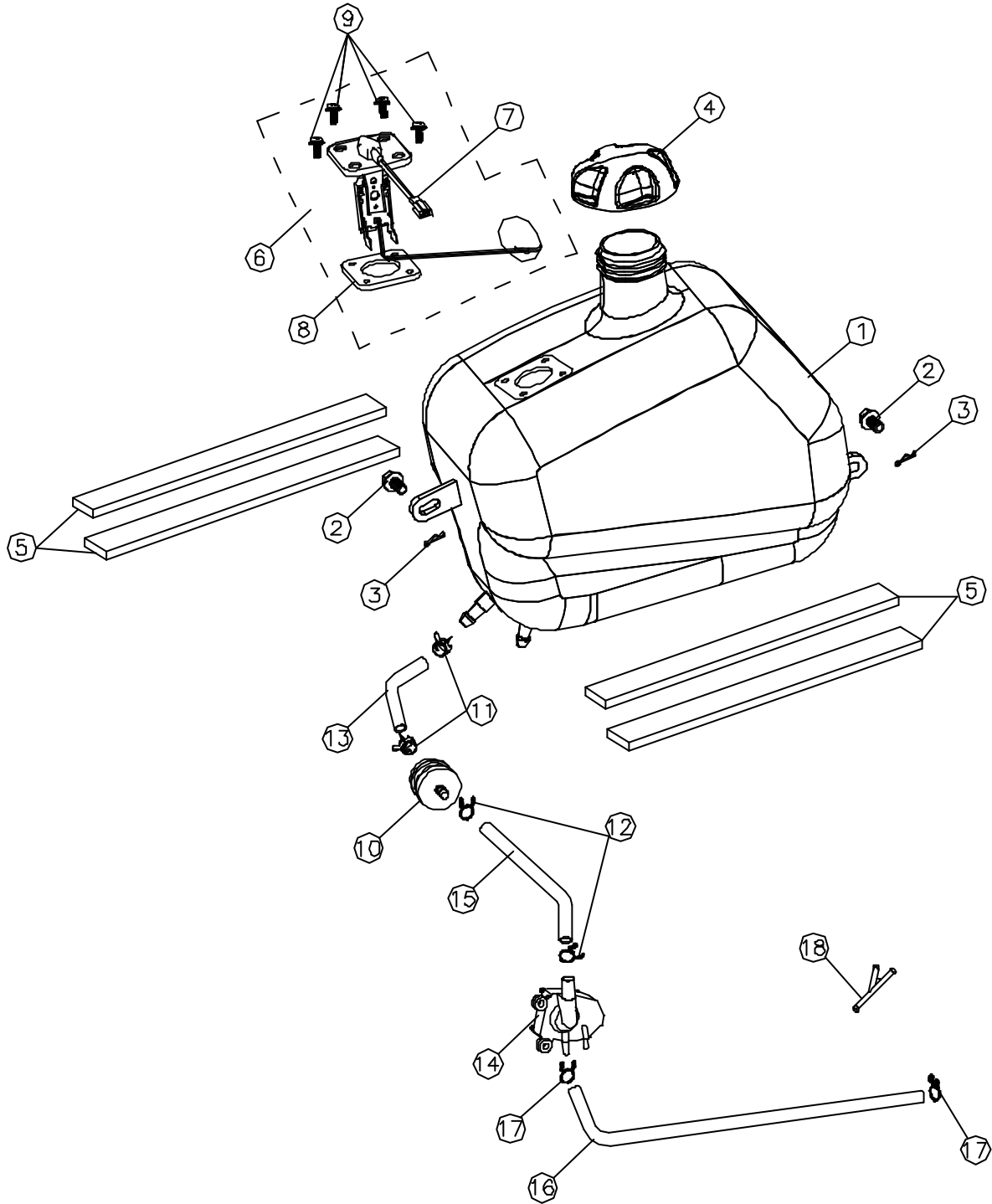
F2**SIDE COVER**

ITEM	PARTS NO.	DESCRIPTION	REQD. NO.	REMARK
			ATV150	
1	A01-62316-1R-**	METER VISOR	1	
2	A06-63111-0R-**	LEG SHIELD,1	1	
3	A01-63121-0R-**	LEG SHIELD,2	1	
4	A01-63411-00-00	FLOOR,1	1	
5	A01-63421-00-00	FLOOR,2	1	
6	A01-63511-0R-**	SIDE COVER,1	1	
7	A01-63521-0R-**	SIDE COVER,2	1	
8	A01-64111-0R-**	FRONT FENDER,1	1	
9	A01-64121-0R-**	FRONT FENDER,2	1	
10	A01-64131-00-00	FRONT FENDER,3	1	
11	A01-64141-00-00	FRONT FENDER,4	1	
12	A01-64211-0R-**	REAR FENDER,1	1	
13	A01-64221-0R-**	REAR FENDER,2	1	
14	A01-68111-0R-**	LUGGAGE BOX	1	
15	S-3892-04012-01	HEXAGON HEAD SCREWS WITH WASHER	4	
16	S-3900-05012-04	SCREW TAPPING M5X12	4	
17	S-3900-05016-04	SCREW TAPPING M5X16	2	
18	S-3530-06006-02	PAN HEAD SEREW 6X6	2	
19	S-3530-06010-02	PAN HEAD SEREW 6X10	2	
20	S-5800-06012-02	FLANGE BOLT 6X12	4	
21	S-4050-06000-04	FLANGE NUT	4	
22	S-3530-06018-77	PAN HEAD SEREW 6X18	8	
23	T35-25656-00-00	DAMPER	4	
24	S-3404-06012-03	HEXAGON HEAD SCREWS WITH WASHER	4	
25	B03-71110-00-00	TOOL KIT	1	
26	A01-42164-00-00	RUBBER	1	
27	A01-42165-00-00	RUBBER	2	

F3

FUEL TANK

ATV-150



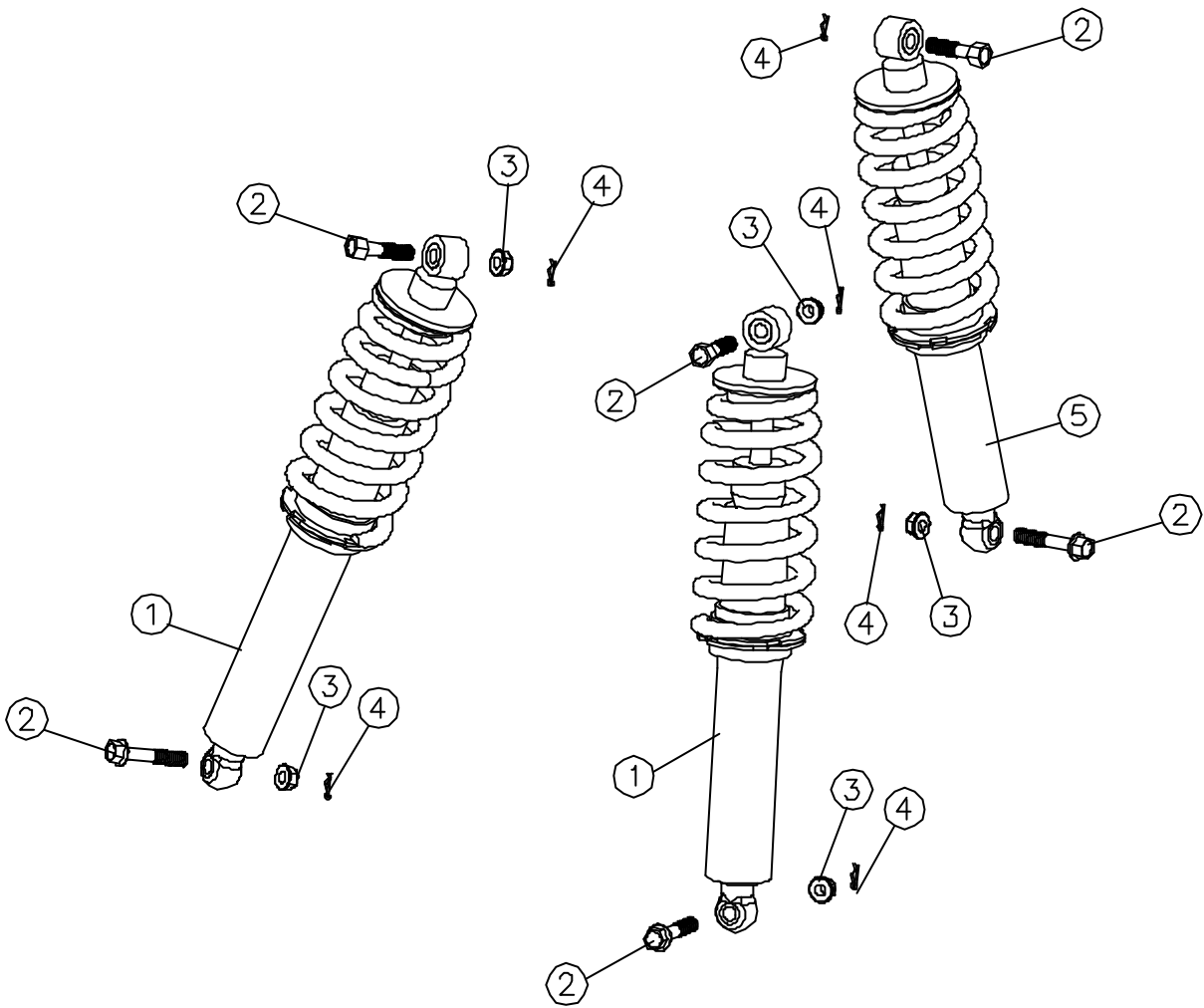
F3**FUEL TANK**

ITEM	PARTS NO.	DESCRIPTION	REQD. NO.	REMARK
			ATV-150	
1	A01-52110-00-00	FUEL TANK COMP.	1	
2	T36-52027-00-00	BOLT	2	
3	S-4251-12221-00	SPLIT PIN 1.2X22	2	
4	A01-52211-00-00	FUEL TANK CAP COMP.	1	
5	A01-42156-00-00	DAMPER,1	4	
6	A01-52510-00-00	SENDER UNIT ASSY.	1	
7	A01-52511-00-00	SENER UNIT	1	
8	A01-52551-00-00	GASKET	1	
9	S-3891-05012-02	BOLT 5X12	4	
10	B11-52410-00-00	FUEL FILTER ASSY.	1	
11	A-4204-08120-00	TUBE CLIP B 12MM	2	
12	A-4202-08090-00	CLIP	2	
13	A01-52371-00-00	FUEL HOSE,1	1	
14	A01-52310-00-00	FUEL COCK ASSY.	1	
15	A01-52372-00-00	FUEL HOSE,2	1	
16	A01-52373-00-00	FUEL HOSE,3	1	
17	A-4202-12900-00	CLIP	2	
18	81A-52382-00-00	JOINT	1	

F4

FRONT/REAR SHOCK ABSORBER

ATV-150



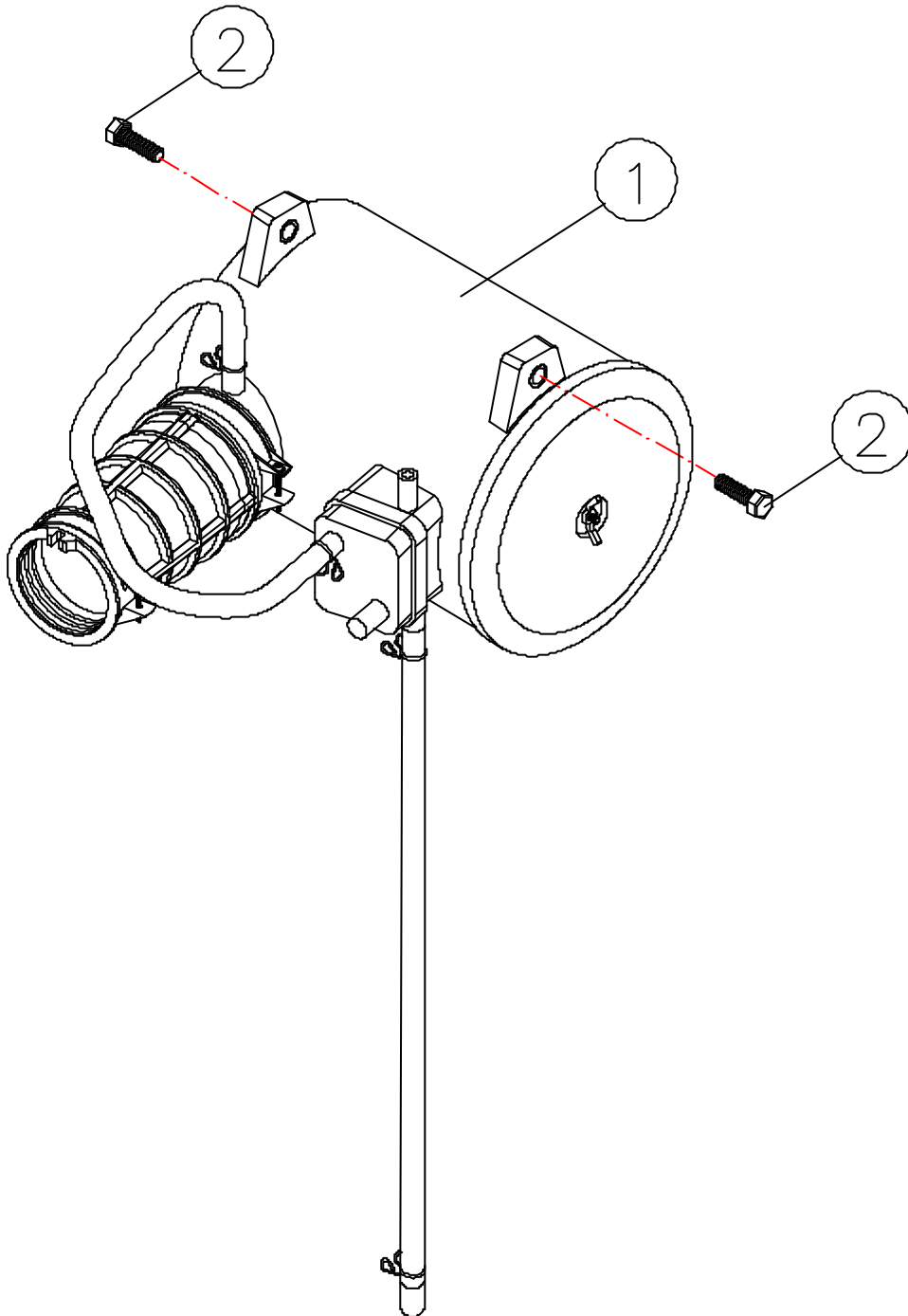
F4**FRONT/REAR SHOCK
ABSORBER**

ITEM	PARTS NO.	DESCRIPTION	REQD. NO.	REMARK
			ATV-150	
1	A01-47210-10-00	FR. SHOCK ABSORBER ASSY.	2	
2	S-5827-10040-04	BOLT W/HOLE 10X40	6	
3	S-4061-10000-03	FLANGE U NUT M10	5	
4	S-4251-12221-00	SPLIT PIN 1.2X22	6	
5	A09-48210-00-00	RR. SHOCK ABSORBER ASSY.	1	

F5

AIR CLEANER

ATV-150



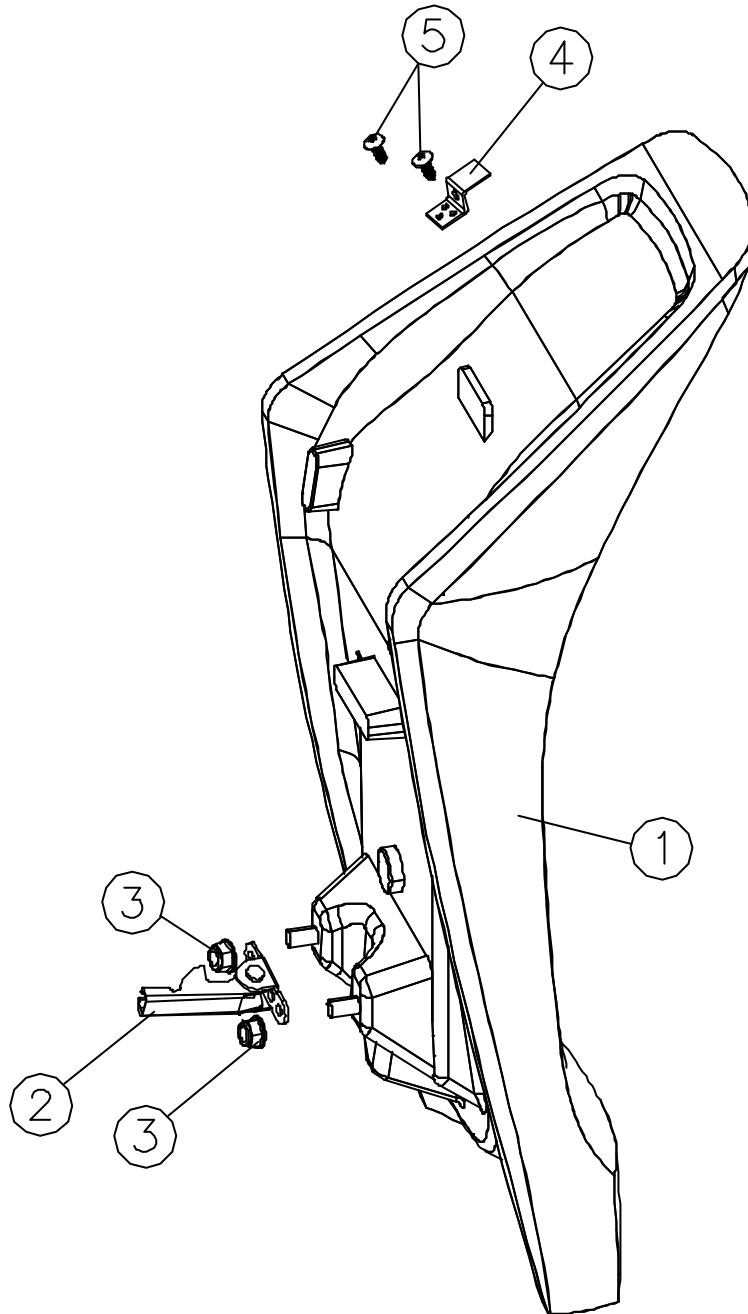
F5**AIR CLEANER**

ITEM	PARTS NO.	DESCRIPTION	REQD. NO.	REMARK
			ATV-150	
1	A09-09110-00-00	AIR CLEANER ASSY.	1	
2	S-2000-06020-02	HEX. BOLT 6X20	2	

F6

SEAT

ATV-150



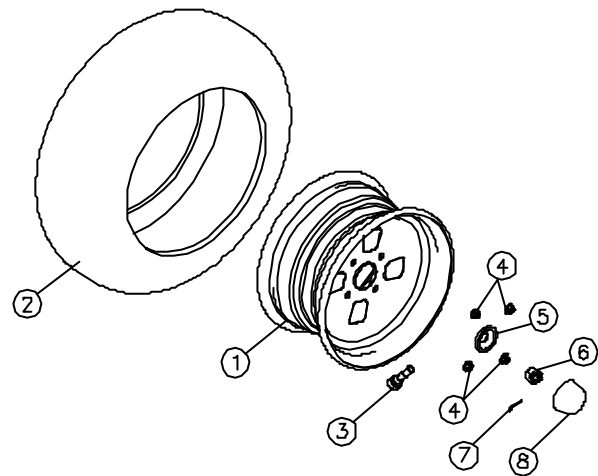
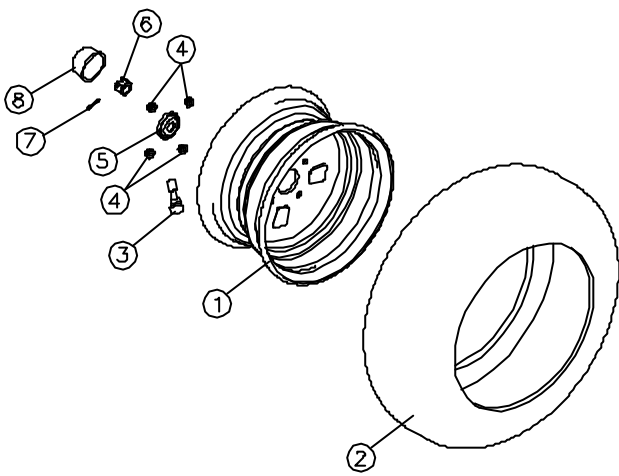
F6**SEAT**

ITEM	PARTS NO.	DESCRIPTION	REQD. NO.	REMARK
			ATV-150	
1	A01-66111-00-00	DOUBLE SEAT ASSY.	1	
2	B11-66131-00-00	SEAT CATCH COMP.	1	
3	S-4050-06000-01	NUT FLANGE M6	2	
4	B11-66162-00-00	BRACKET	1	
5	S-3900-04012-04	TAPPING SCREW 4*12	2	

F7

FRONT WHEEL

ATV-150



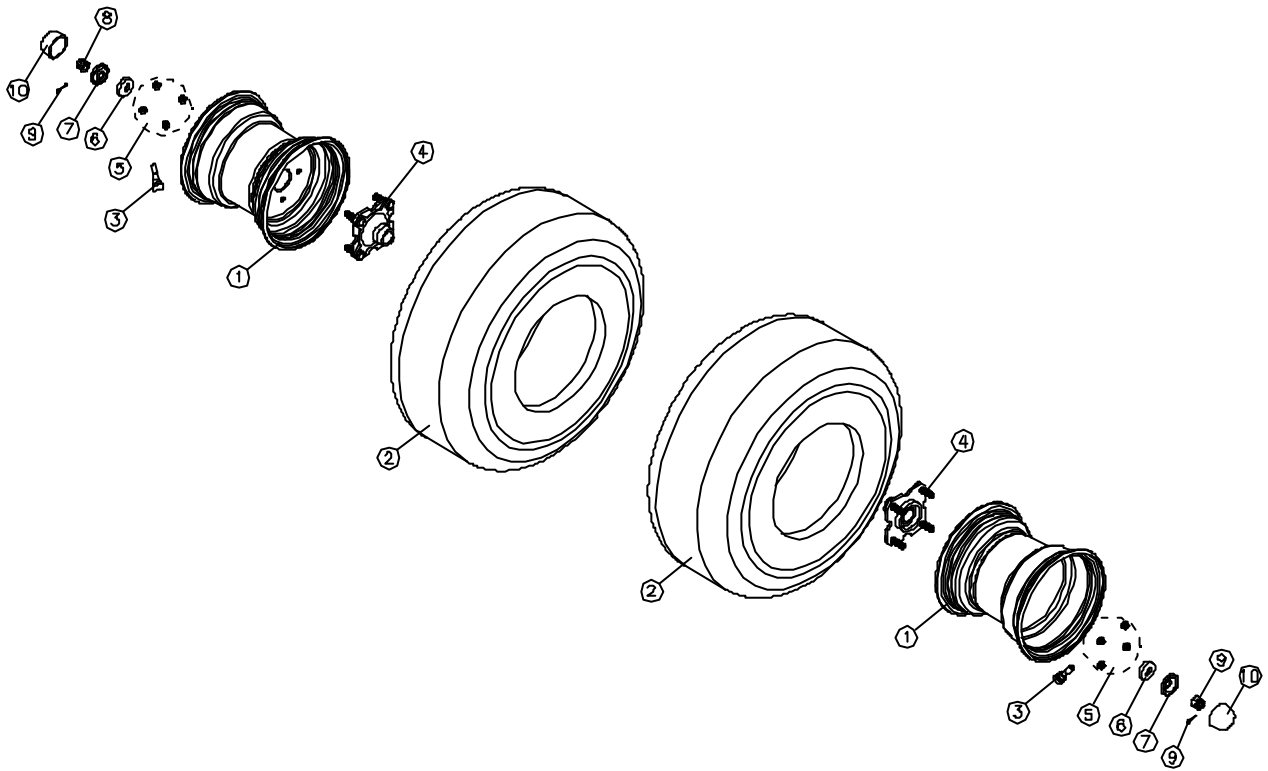
F7**FRONT WHEEL**

ITEM	PARTS NO.	DESCRIPTION	REQD. NO.	REMARK
			ATV-150	
1	A01-43210-00-9B	WHEEL COMP.	2	
2	A01-43311-00-00	TIRE	2	
3	B11-43322-00-00	RIM VALVE	2	
4	S-4061-10000-03	FLANGE U NUT M10	8	
5	A09-43256-00-00	WASHER	2	
6	F01-44266-00-00	CASTLE NUT	2	
7	S-4201-22305-03	SPLIT PIN 2.2X30.5	2	
8	B11-43268-00-00	RUBBER CAP	2	

F8

REAR WHEEL

ATV-150



F8**REAR WHEEL**

ITEM	PARTS NO.	DESCRIPTION	REQD. NO.	REMARK
			ATV-150	
1	A01-44210-00-9B	WHEEL COMP.	2	
2	A01-44311-00-00	TIRE	2	
3	B11-43322-00-00	RIM VALVE	2	
4	A01-44223-00-00	REARWHEEL CONNECTER	2	
5	S-4061-10000-03	FLANGE NUT	8	
6	B11-44256-00-01	WASHER	2	
7	A09-43256-00-00	WASHER	2	
8	F01-44266-00-00	CASTLE NUT	2	
9	S-4201-22305-03	SPLIT PIN 2.2X30.5	2	
10	B11-43268-00-00	RUBBER CAP	2	

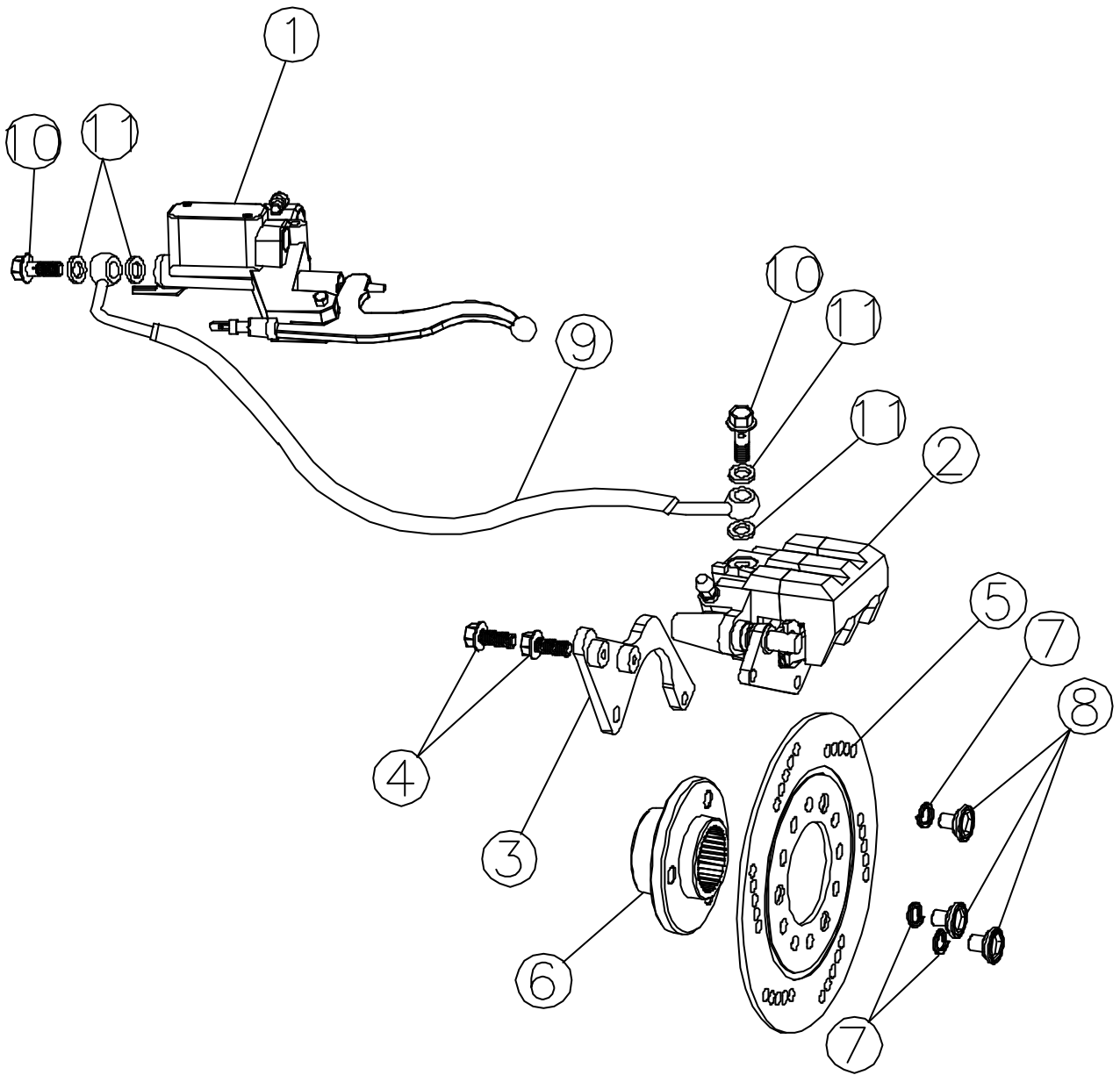
F9**FRONT BRAKE**

ITEM	PARTS NO.	DESCRIPTION	REQD. NO.	REMARK
			ATV-150	
1	F01-27850-00-00	LEVEL ASSY, RIGHT	1	
2	A01-45442-00-00	FRONT BRAKE DROM	2	
3	A01-45456-00-00	COLLAR	2	
4	A01-45446-00-00	COLLAR	2	
5	S-1201-23035-60	RING	4	
6	S-6120-06003-10	BALL BEARING 6003Z	4	
7	T58-45440-10-00	FRONT BRAKE PANEL ASSY.LEFT	1	
8	A01-45441-00-00	FRONT BRAKE PANEL COMP,LEFT	1	
9	T01-46420-00-00	BRAKE SHOE KIT ASSY.	4	
10	A01-45611-00-00	CAM SHAFT LEVER,1	1	
11	A01-45621-00-00	CAM SHAFT,1	2	
12	S-2201-06030-01	HEX BOLT 6X30	2	
13	S-4001-06000-01	HEX NUT 6MM	2	
14	S-1301-02012-00	O-RING	2	
15	B01-46631-00-00	INDICATOR PLATE	2	
16	S-1201-32040-60	OIL SEAL 32X40X6	2	
17	T58-45450-10-00	FRONT BRAKE PANEL ASSY.LRIGHT	1	
18	A01-45451-00-00	FRONT BRAKE PANEL COMP.LRIGHT	1	
19	A01-45612-00-00	CAM SHAFT LEVER, 2	1	

F10

REAR BRAKE

ATV-150



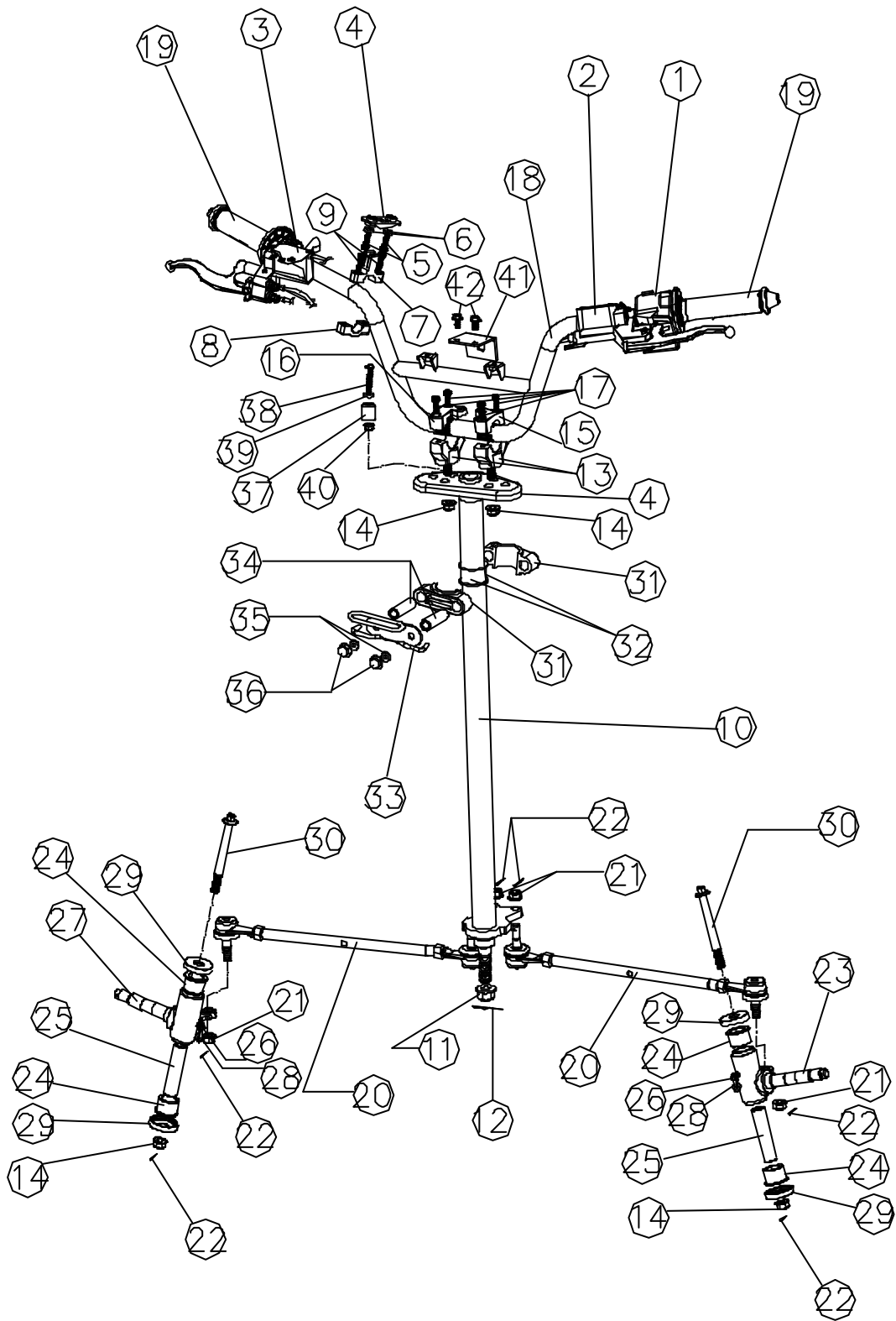
F10**REAR BRAKE**

ITEM	PARTS NO.	DESCRIPTION	REQD. NO.	REMARK
			ATV-150	
1	T36-45100-00-00	MASTER CYLINDER ASSY.,1	1	
2	T58-45200-00-00	CALIPER ASSY.	1	
3	T58-45235-00-00	CALIPER STAY	1	
4	S-5800-08020-04	FLANGE BOLT 8X20	2	
5	T58-45251-00-00	BRAKE DISK	1	
6	T58-45255-00-00	BRAKE DISK STAY	1	
7	S-4111-10186-31	SPRING WASHER	3	
8	T58-45276-00-00	BOLT M10	3	
9	F02-45310-00-00	BRAKE CABLE	1	
10	B01-45185-00-00	BOLT	2	
11	S-4101-10143-50	WASHER	4	

F11

HANDLE BAR

ATV-150



F11**HANDLE BAR**

ITEM	PARTS NO.	DESCRIPTION	REQD. NO.	REMARK
			ATV-150	
1	A01-27700-00-00	LEFT HANDLE SWITCH ASSY.	1	
2	T36-45100-00-00	MASTER CYLINDER ASSY.,1	1	
3	F01-278050-00-00	LEVEL ASSY ,RIGHT	1	
4	T38-24136-00-00	SPEEDO METER HOLD,1	1	
5	S-6700-05018-02	SOCKET BOLT 5X18	2	
6	S-4101-05133-22	PLAIN WASHER	2	
7	T38-24137-00-00	SPEEDO METER HOLD,2	1	
8	T38-24138-00-00	SPEEDO METER HOLD,3	1	
9	S-6700-05012-02	SOCKET BOLT 5X12	2	
10	A01-62140-00-00	SHAFT. STEERING	1	
11	S-4061-14000-01	NUT M14	1	
12	S-4201-22305-03	SPLIT PIN 2.2X30.5	1	
13	B11-62222-00-00	HANDLE HOLDER ASSY.	2	
14	S-4061-10000-03	NUT LICK M10	4	
15	B11-62225-00-00	HANDLE HOLDER COVER,1	1	
16	B11-62235-00-00	HANDLE HOLDER COVER,2	1	
17	S-6700-06025-03	SOCKET BOLT 6X25	4	
18	A01-62110-00-00	HANDLE COMP.	1	
19	T36-62251-00-00	GRIP	2	
20	A01-62143-00-00	STEERING TIEROD ASSY.	2	
21	S-4060-10000-03	NUT FLANGE M10	4	
22	S-4251-12221-00	SPLIT PIN 1.2X22	6	
23	A09-62144-00-00	KNUCKLE,1	1	
24	A01-62165-00-00	BUSHING CONTAIN OIL,3	4	
25	A01-62166-00-00	COLLAR	2	
26	B11-47367-00-00	GREASE VALVE	2	
27	A09-62154-00-00	KNUCKLE,2	1	
28	B11-47368-00-00	GREASE VALVE CAP	2	
29	A01-62167-00-00	DUST SEAL	4	
30	S-5801-10105-02	BOLT FLANGE 10*105	2	
31	A01-62146-00-00	HOLDER STEERING SHAFT	2	
32	A01-62147-00-00	HOLDER STEERING SHAFT COLLAR	2	
33	A01-58293-00-00	HOLDER	1	
34	A01-62158-00-00	SLEEVE	2	
35	S-4101-08143-50	WASHER	2	
36	S-4051-08000-03	NUT LICK M8	2	

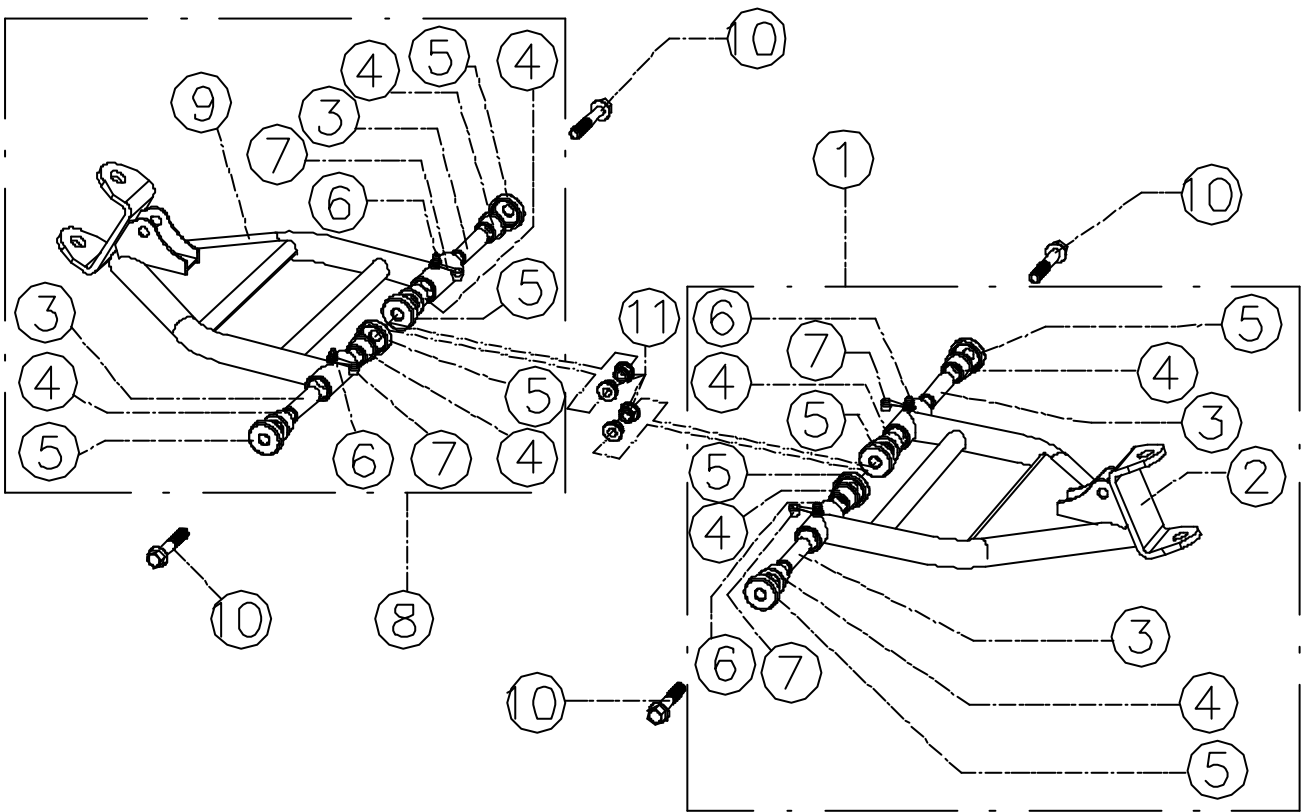
F11**HANDLE BAR**

ITEM	PARTS NO.	DESCRIPTION	REQD. NO.	REMARK
			ATV-150	
37	B22-62227-00-00	PUSH	1	
38	S-3501-06035-02	BOLT	1	
39	S-4101-06193-00	WASHER	1	
40	S-4050-06000-02	NUT	1	
41	A09-42125-00-00	HOLDER	1	
42	S-5800-06012-02	FLANGE BOLT 6*12	2	

F12

FRONT SWING ARM

ATV-150



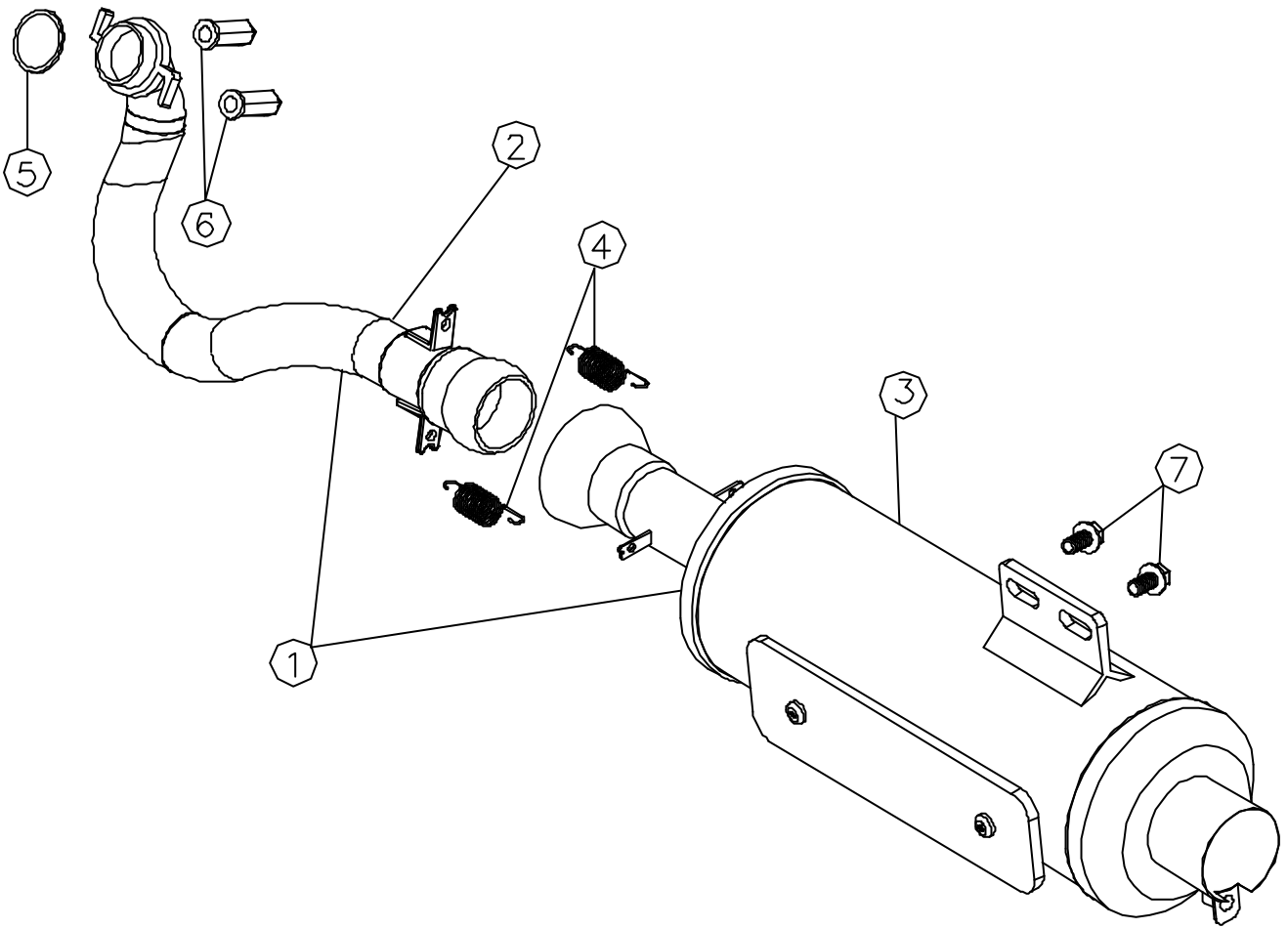
F12**FRONT SWING ARM**

ITEM	PARTS NO.	DESCRIPTION	REQD. NO.	REMARK
			ATV-150	
1	A01-47310-00-00	FRONT SWING ARM ASSY.,1	1	
2	A01-47311-00-00	FRONT SWING ARM,1	1	
3	A01-47337-00-00	COLLAR	4	
4	A01-47357-00-00	BUSH COUNTAIN OIL,1	8	
5	A01-47336-00-00	DUST SEAL	8	
6	B11-47367-00-00	GREASE VALVE	4	
7	B11-47368-00-00	GREASE VALVE CAP	4	
8	A01-47320-00-00	FRONT SWING ARM ASSY.,2	1	
9	A01-47321-00-00	FRONT SWING ARM,2	1	
10	S-5801-10080-02	BOLT FLANGE 10*80	4	
11	S-4061-10000-03	FLANGE U NUT M10	4	

F13

MUFFLER ASSY

ATV-150



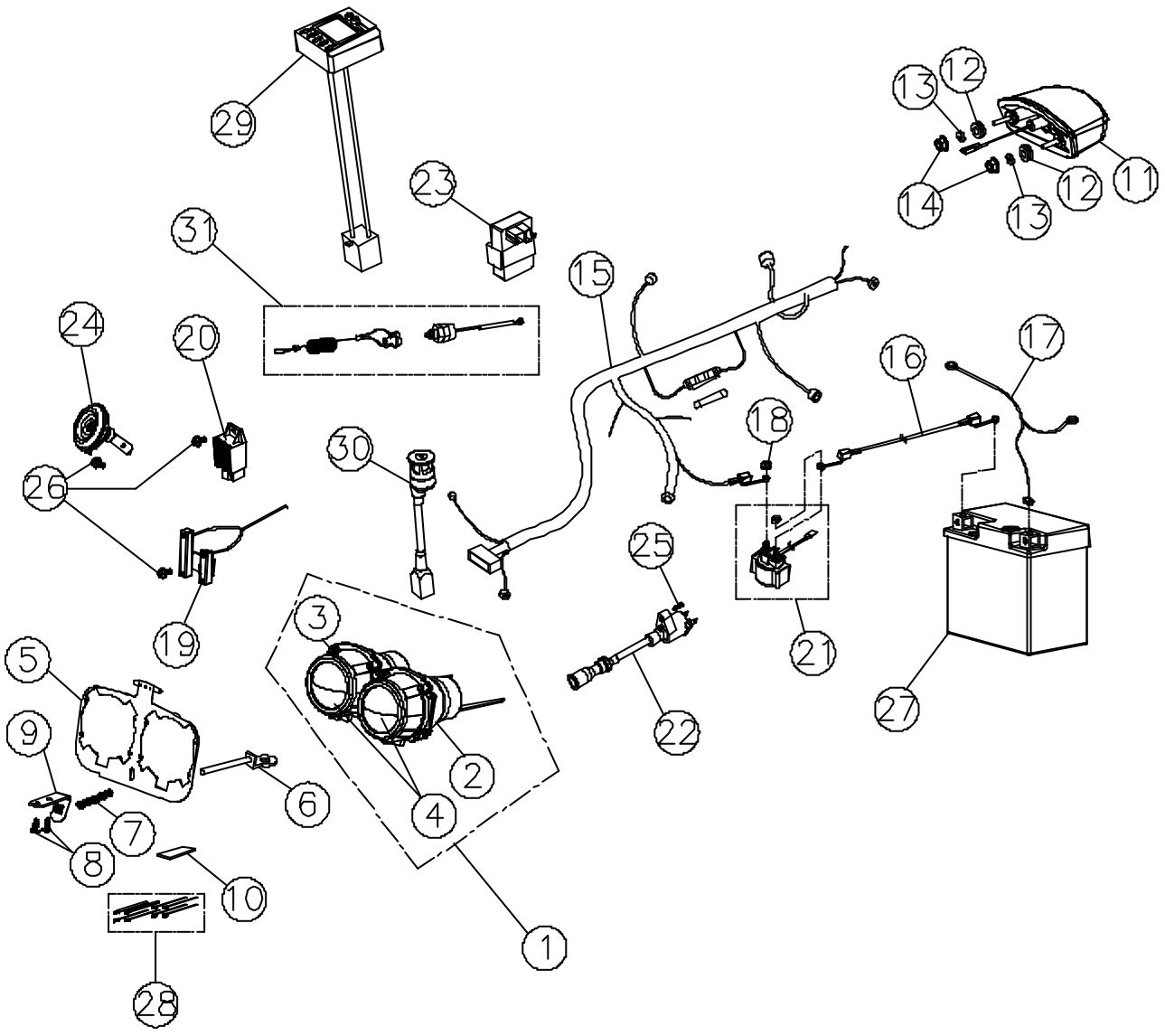
F13**MUFFLER ASSY**

ITEM	PARTS NO.	DESCRIPTION	REQD. NO.	REMARK
			ATV-150	
1	A09-18200-00-00	EXHAUST PIPE ASSY.	1	
2	A09-18201-00-00	EXHAUST MANIFOLD	1	
3	A09-18211-00-00	MUFFLER	1	
4	A09-18137-00-00	SPRING	2	
5	B03-18131-00-00	EXHAUST PIPE GASKET	1	
6	B03-18138-00-00	NUT M6	2	
7	S-5800-08016-02	FLANGE BOLT 8X16	2	

F14

ELECTRICAL PARTS

ATV-150



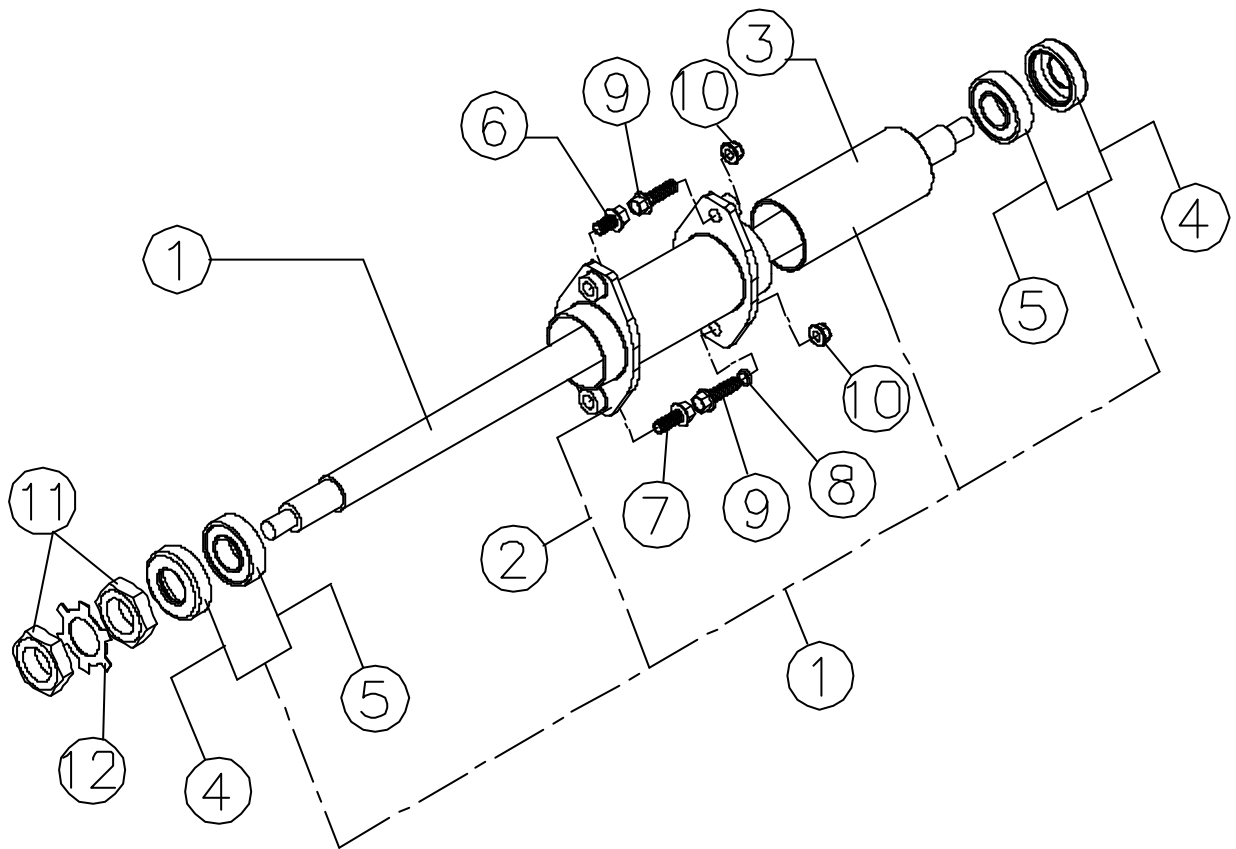
F14**ELECTRICAL PARTS**

ITEM	PARTS NO.	DESCRIPTION	REQD. NO.	REMARK
			ATV-150	
1	A09-25100-00-00	HEAD LIGHT ASSY.	1	
2	A09-25111-00-00	HEAD LIGHT BASE,1	1	
3	A09-25191-00-00	HEAD LIGHT BASE,2	1	
4	A09-25151-00-00	BULB	2	
5	A06-25176-00-00	HEAD LIGHT STAY	1	
6	B11-46470-00-00	BOLT	1	
7	A06-25147-00-00	SPRING	1	
8	S-3900-05012-04	TAPPING SCREW M5X12	4	
9	S-4101-05164-24	WASHER	2	
10	A01-42156-00-00	DAMPER	1	
11	T36-25400-10-00	TAIL LIGHT ASSY.	1	
12	B11-42158-00-00	DAMPER,3	2	
13	S-4101-06193-00	PLAIN WASHER	2	
14	S-4050-06000-01	NUT FLANGE M6	2	
15	A01-23610-00-00	WIRE HARNESS ASSY.	2	
16	A01-23651-00-00	BATTERY CABLE	1	
17	A01-23661-00-00	EARTH CORD	1	
18	S-4001-06000-01	HEX. NUT M6	1	
19	B03-28410-00-00	RESISTOR COMP	1	
20	81A-21310-00-00	REG. REC. COMP	1	
21	81A-28310-00-00	START RELAY ASSY.	1	
22	81E-23140-00-00	IGN. COIL ASSY	1	
23	81G-23110-00-00	C.D.I UNIT	1	
24	T01-28210-00-00	HORN	1	
25	S-2000-05020-01	FLANGE BOLT 5X20	1	
26	S-5800-06012-04	FLANGE BOLT 6X12	3	
27	A01-23410-00-00	BATTERY ASSY.	1	
28	A-4402-02502-01	BAND	8	
29	A01-24110-00-00	SPEEDO METER ASSY.	1	
30	A06-56210-00-00	MAIN SWITCH ASSY.	1	
31	A01-56212-10-00	SAFETY SWITCH	1	

F15

REAR WHEEL AXLE

ATV-150



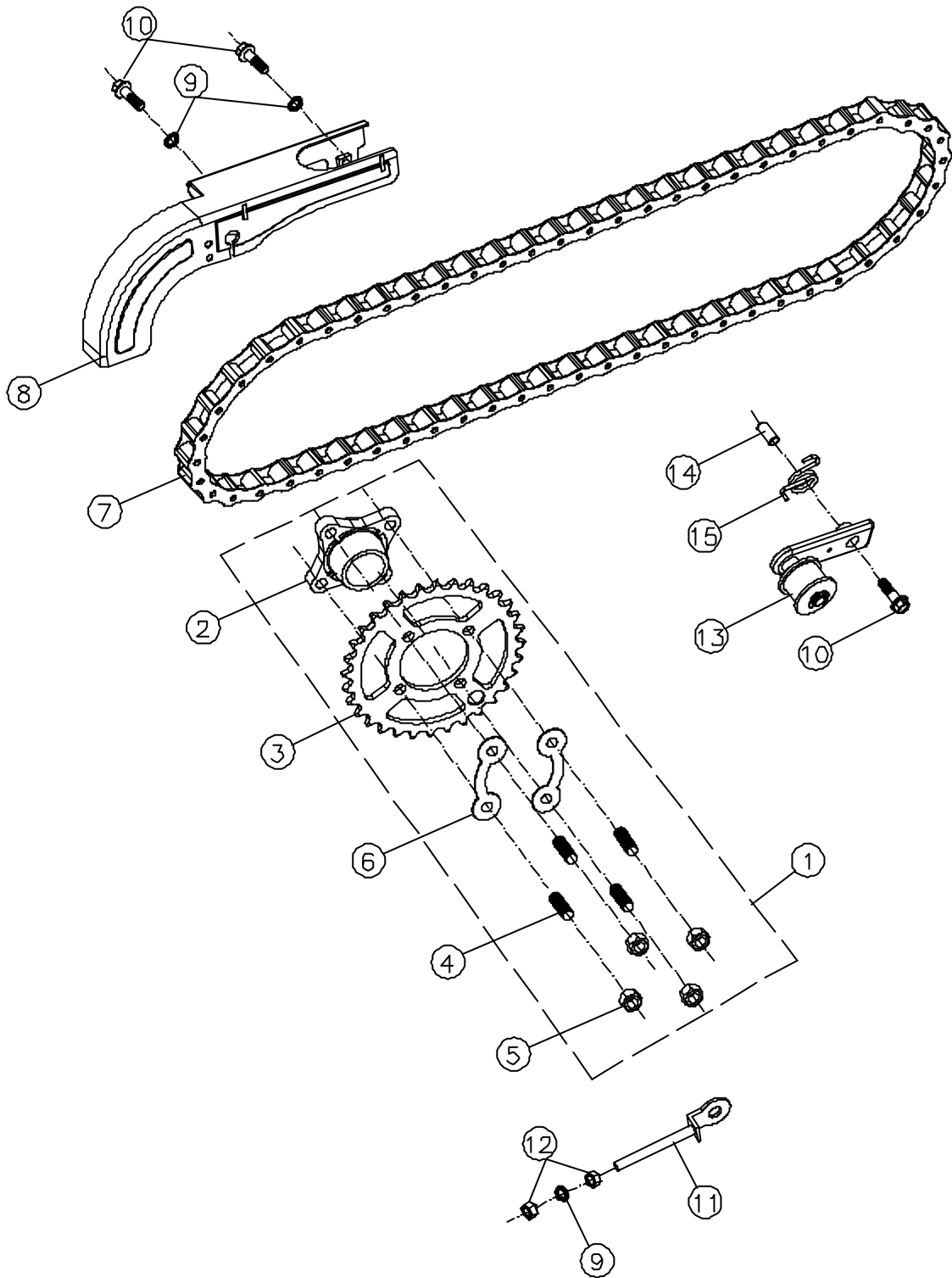
F15**REAR WHEEL AXLE**

ITEM	PARTS NO.	DESCRIPTION	REQD. NO.	REMARK
			ATV-150	
1	A01-44511-10-00	REAR WHEEL AXLE	1	
2	T58-44521-00-00	REAR WHEEL AXLE SEAT	1	
3	A01-44522-00-00	SPACER TUBE	1	
4	S-1201-42062-80	O-RING	2	
5	S-6120-06007-20	BEARING 6007Z	2	
6	S-5800-12028-02	FLANGE BOLT 12X28	1	
7	S-5800-12040-02	FLANGE BOLT 12X40	1	
8	B11-44527-00-00	WASHER	1	
9	S-5800-12050-02	FLANGE BOLT 12X50	2	
10	S-4060-12000-03	NUT FLANGE M12	2	
11	A01-44518-00-00	NUT M33	2	
12	A06-44519-00-00	WASHER	1	

F16

SPROCKET

ATV-150



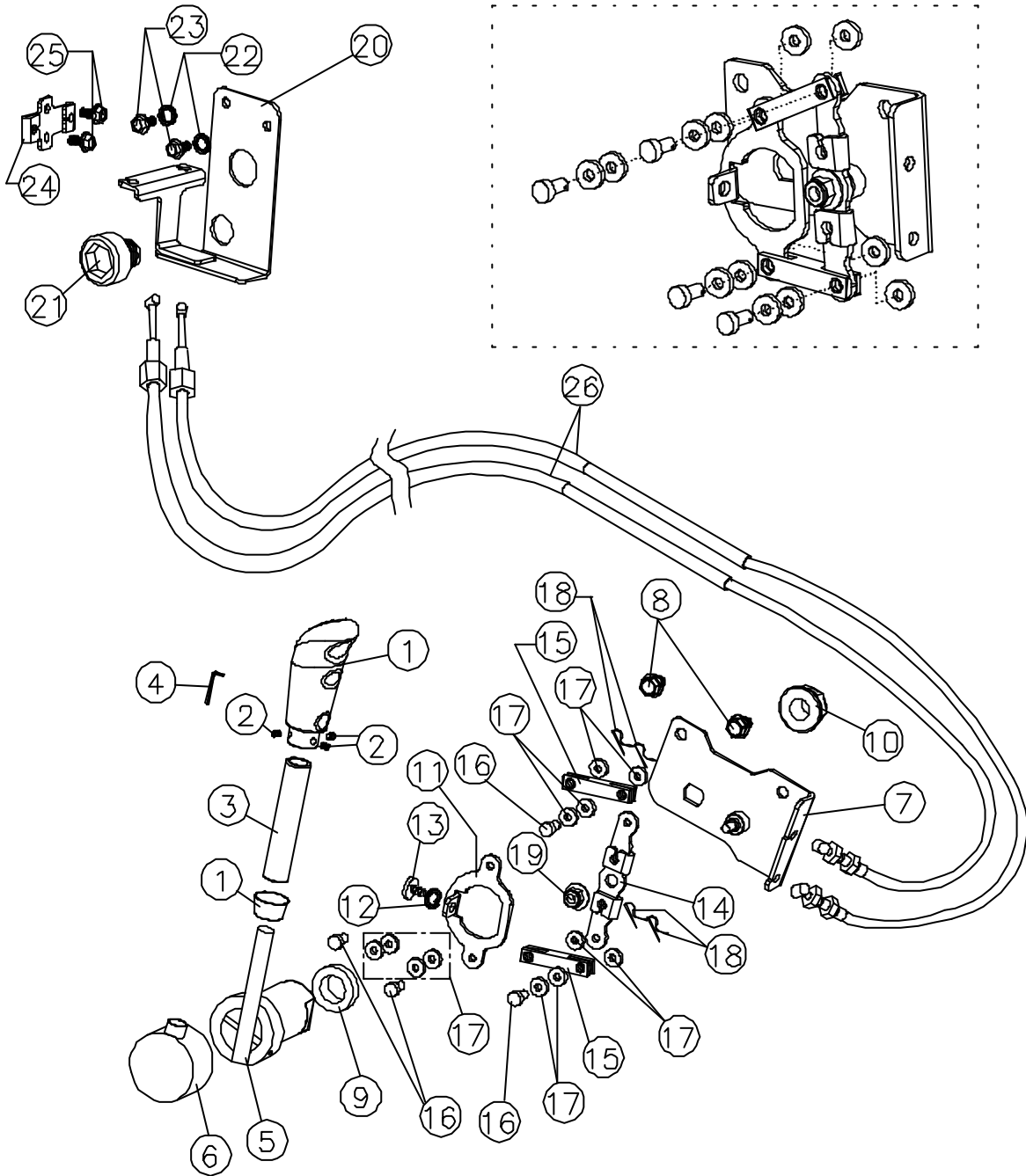
F16**SPROCKET**

ITEM	PARTS NO.	DESCRIPTION	REQD. NO.	REMARK
			ATV-150	
1	A01-16950-00-00	SPROCKET ASSY	1	
2	A01-16955-00-00	SPROCKET HOLDER	1	
3	A01-16930-00-00	SPROCKE	1	
4	A01-44254-00-00	BOLT	4	
5	S-4001-10000-01	NUT M10	4	
6	A01-44255-00-00	TONGUED WASHER	2	
7	A09-16960-00-00	DRIVE CHAIN	1	
8	A01-16941-00-00	CHAIN COVER	1	
9	S-4111-08155-31	SPRING WASHER	2	
10	S-5800-08030-02	FLANGE BOLT 8X30	2	
11	T58-46470-00-00	CHAIN ADJUSTER ASSY	1	
12	S-4001-08000-01	HEX. NUT M8	2	
13	A01-16940-00-00	CONDUIT SPROCKE ASSY	1	
14	B11-71146-00-00	COLLAR 10MM	1	
15	A09-16943-00-00	SPRING	1	

F17

REVERS SYSTEM

ATV-150



F17**REVERS SYSTEMS**

ITEM	PARTS NO.	DESCRIPTION	REQD. NO.	REMARK
			ATV-150	
1	A09-62278-00-00	GEAR SHIFT KONB	1	
2	A09-62276-00-00	BOLT	3	
3	A09-62275-00-00	RUBBER TUBE	1	
4	A09-62286-00-00	HEX WRENCH SET M3	1	
5	A09-62277-00-00	REVERSE LEVER ASSY	1	
6	A09-62288-00-00	RUBBER TUBE	1	
7	A09-62296-00-00	REVERSE LEVER STAY,1	1	
8	A09-62271-00-00	FLANGE 8X12	2	
9	S-4101-16213-21	PLAIN WASHER	1	
10	S-4061-12000-04	FLANGE U NUT M12	1	
11	A09-62297-00-00	REVERSE LEVER ACCESSORY	1	
12	S-4111-06114-31	SPRING WASHER	1	
13	S-3500-06010-03	PAN HEAD SCREW	1	
14	A09-62299-00-00	REVERSE LEVER,1	1	
15	A09-62298-00-00	CONNECTING GOD	2	
16	61J-19097-00-00	PIN	4	
17	S-4101-05122-21	PLAIN WASHER M6	12	
18	S-4251-12181-00	PIN	4	
19	S-4051-06000-13	FLANGE U NUT M6	1	
20	A09-62293-00-00	REVERSE LEVER STAY,2	1	
21	A09-62284-00-00	BOLT M20	1	
22	S-4111-06103-00	SPRING WASHER	2	
23	S-5800-06016-02	BOLT FLANGE 6X16	2	
24	A09-62294-00-00	REVERSE LEVER,2	1	
25	S-2000-06010-01	HEX. BOLT 6X10	2	
26	A09-62262-00-00	CABLE	2	